

# ARX 40-2C

## LIGHT TANDEM VIBRATORY ROLLER

EU Stage IIIA / U.S. EPA Tier 4 Interim



### WORKING AROUND OBSTRUCTIONS

The Ammann ARX 40-2 C Light Tandem Roller makes it easier to see – and work – near obstructions. It also offers a drum in front and tyres in back to provide both compaction power and the sealing effect of pneumatic rollers. The roller features a new articulating joint that enables quick drum adjustment from in-line to offset configurations, helpful when working close to obstructions. Operators need watch only one drum, knowing the second will be a safe distance from the obstacle. The in-line drum setting is available when it's time for productivity in open spaces.

### APPLICATIONS

- Small and medium construction sites
- City roads
- Boardwalks
- City street repairs
- Road maintenance

### PRODUCTIVITY

#### Electronic drive lever

Advanced drive control enables smooth starts and stops during machine operation.

#### Articulation joint with oscillation

Great manoeuvrability and constant contact with the surface are key factors in achieving high quality compaction.

#### Sprinkling system

Multi-level filtration system with large water tank for extended intervals between fillings.

### ERGONOMICS

#### Operator platform design

Spacious operator platform with comfortable driver's seat.

#### Simple & convenient operation control

Dashboard with clear display and intuitive machine control.

#### Exceptional operator visibility

Perfect all-around machine visibility to maximise safety on the jobsite.

### SERVICEABILITY

#### Tool-free daily inspection

Quick and easy daily inspection.

#### Maintenance-free parts

Reduce time required for machine maintenance and prevent damage to components.

#### Service point locations

Service and regular maintenance points are quickly and readily accessible.

MAXIMUM RECOMMENDED COMPACTED LIFT THICKNESS AT OPTIMAL WORKING CONDITIONS

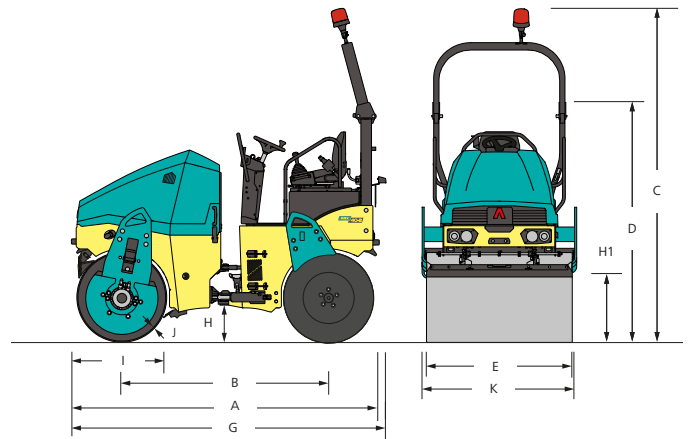
	Sand / gravel	Mixed soils	Silt	Clay	Stabilisation	Asphalt
ARX 40-2C	250 mm (9.8 in)	180 mm (7.1 in)	–	–	120 mm (4.7 in)	100 mm (3.9 in)

# AMMANN

TECHNICAL SPECIFICATIONS  
 ARX 40-2C LIGHT TANDEM VIBRATORY ROLLER  
 EU Stage IIIA / U.S. EPA Tier 4 Interim

## DIMENSIONS

A	MACHINE LENGTH	2915 mm (114.8 in)
B	WHEELBASE	2000 mm (78.7 in)
C	MACHINE HEIGHT	2840 mm (111.8 in)
D	MACHINE HEIGHT (FOLDED ROPS)	2150 mm (84.6 in)
E	DRUM WIDTH	1300 mm (51.2 in)
E	TIRE-AXLE WIDTH	1275 mm (50.2 in)
G	MACHINE LENGTH	3000 mm (118.1 in)
H	GROUND CLEARANCE	330 mm (13 in)
H1	SIDE CLEARANCE	605 mm (23.8 in)
I	DRUM DIAMETER	850 mm (33.5 in)
J	DRUM SHELL THICKNESS	18 mm (0.7 in)
K	MACHINE WIDTH (TOTAL)	1385 mm (54.5 in)



## WEIGHT & OPERATING CHARACTERISTICS

OPERATING WEIGHT CECE	4055 kg (8940 lb)
OPERATING WEIGHT MAX.	4355 kg (9600 lb)
STAT. LIN. LOAD	16.5 kg/cm (36 lb/in)
TURNING RADIUS INSIDE	2830 mm (111.4 in)
STEERING / OSCILLATING ANGLE	35/9 ±°

## ENGINE

ENGINE TYPE	Kubota V2403-M
EMMISSION CLASS	EU Stage IIIA / U.S. EPA Tier 4i
POWER OUTPUT ISO 3046	34.1 kW (45.7 HP)
CYLINDER / LTR.	4 cyl / 2434 cm <sup>3</sup>
NOMINAL SPEED	2400 rpm
TRAVEL SPEED	10 km/h (6.2 MPH)
GRADEABILITY WITH / WITHOUT VIBR.	30 % / 40 %

## COMPACTION FORCES

AMPLITUDE I	0.4 mm (0.016 in)
AMPLITUDE II	0.6 mm (0.024 in)
FREQUENCY I	41 Hz (2460 VPM)
FREQUENCY II	55 Hz (3300 VPM)
CENTRIFUGAL FORCE I	42.4 kN (9531.9 lbf)
CENTRIFUGAL FORCE II	53.8 kN (12 094.7 lbf)
CENTRIFUGAL FORCE III	55 kN (12 364.5 lbf)

## MISCELLANEOUS

BATTERY / CAPACITY	12/77 V/Ah
WATER TANK	340 l (89.8 gal)
ANTI-ADHESIVE TANK	18 l (4.8 gal)
HYDRAULIC TANK	53.5 l (14.1 gal)
DIESEL FUEL TANK	57 l (15.1 gal)
WHEEL LOAD	481 kg (1060 lb)
NUMBER OF WHEELS	4
TIRE SIZE	10.5/80-16

### STANDARD

- Front and rear drive / front vibration
- Pressurised pulse interval sprinkler system
- Anti-adhesive sprinkling circuit
- 2 stage vibratory system
- Control system with emergency stop
- Ammann Vibration Control
- Lateral sliding seat
- Hydraulic test ports
- Off-set into in-line drum setting
- Battery disconnection switch
- On-board diagnostics
- Front/rear rubber bumpers

### OPTIONAL EQUIPMENT

- CE-kit with folding ROPS and working lights
- Road lights
- Infrared thermometer
- ACE<sup>force</sup>
- ATC - Ammann Traction Control
- Reverse alarm
- Additional working lights (ROPS mounted)
- Warning beacon
- Second drive-lever, left
- Arm rests
- Edge-cutter inc. Multi-function lever
- Scrapers tiltable
- Bio-degradable hydraulic oil
- Customer color
- Weather canopy
- Servicelink