

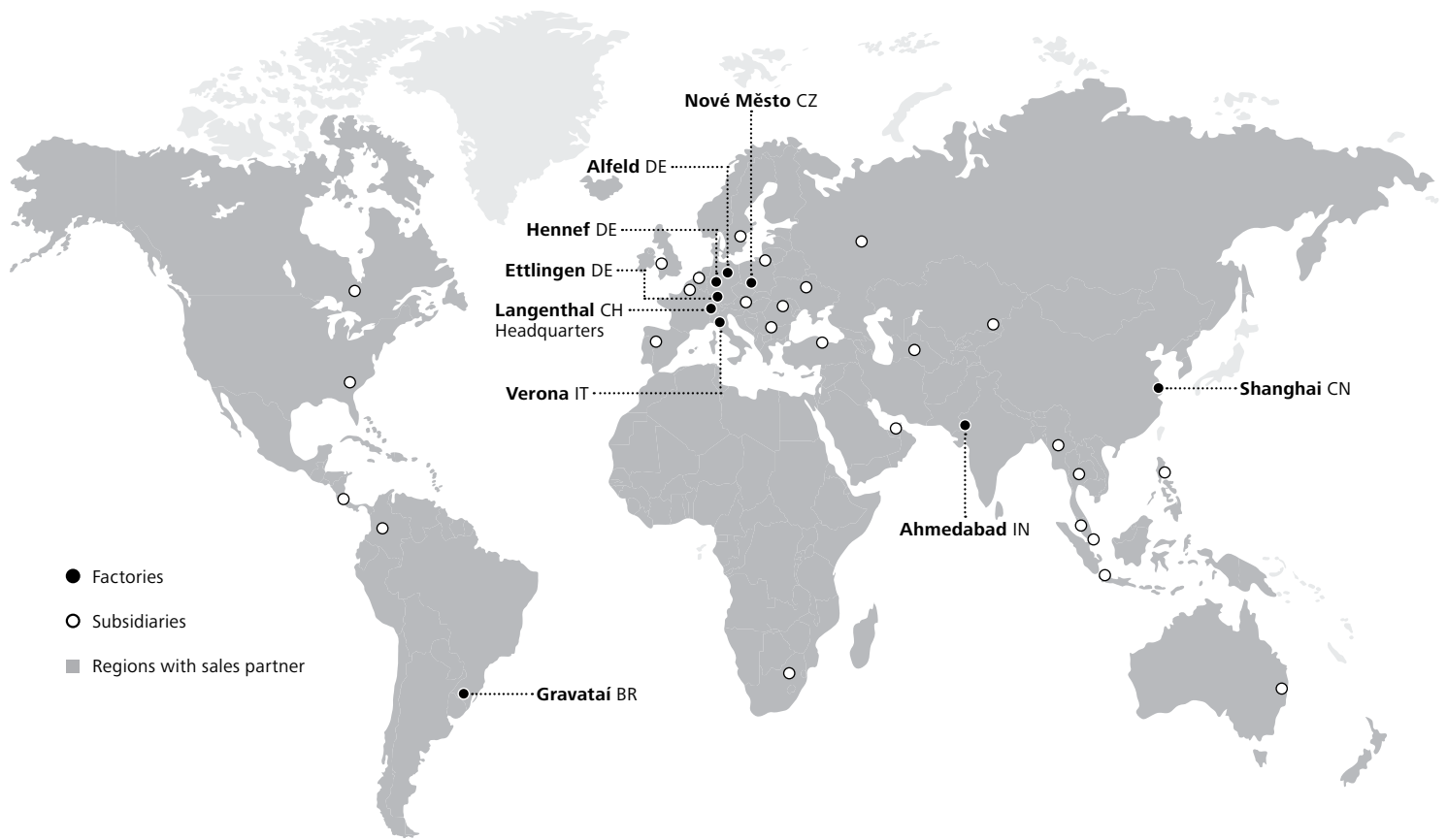


Plants

Asphalt-Mixing Plants

Stationary, Semi-Mobile, Mobile and Super-Mobile

With productive capacity of 80–450 t/h



Ammann Group Worldwide

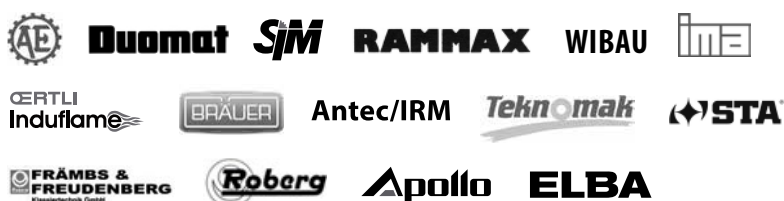
Nine production locations and over 100 agencies and sales partners

An Innovative Family Firm

Ammann is a world-leading supplier of mixing plants, machines and services to the construction industry, with core expertise in road-building and transportation infrastructure. Our strengths are the forthcoming approach of a family firm that has been operating for many years, coupled with our strong and well-established international presence. Since 1869, we have been setting benchmarks in the road-building industry, thanks to countless innovations and solutions that are as competitive as they are dependable.

True to our motto, "Productivity Partnership for a Lifetime," we gear our activities to the needs and requirements of our customers around the globe. We are aware that plants and machines that prove their merits day after day under tough operating conditions are the only way to give our customers the critical, competitive edge they need. As you would expect, we provide a well-developed service network and reliable supply of spare parts, together with support throughout the lifetimes of the plants and machines that we offer.

Ammann: One brand – grown over years



Intelligent compaction





Rammers



Vibratory Plates



Rollers



Road Pavers

Ammann manufactures mixing plants, compactors and pavers at nine locations. More than 100 agencies and sales partners work directly for our customers throughout the world. Expert around-the-clock service and high-quality-parts availability are guaranteed.



Asphalt-Mixing plants



Concrete-Mixing Plants



Control Systems



Customer Service

Asphalt-Mixing Plants

More than 4,000 Ammann asphalt-mixing plants are in operation every day under demanding conditions. Ammann is the only asphalt plant manufacturer to develop and produce in-house all-system components, including controls, screens, dryers, burners, mixers and filters. This manufacturing commitment enables perfect integration of all components and, ultimately, an ultra-efficient operation for our customers.

Concrete-Mixing Plants

Ammann Elba is a leading manufacturer of both modern concrete compulsory mixers and complete mixing plants. It provides reliable and economic solutions for the production of high-quality concrete. The wide range of mixing plants covers all major sizes in both mobile and stationary applications. Complementing the core product line are planetary counter-current mixers, modules for the production of precast concrete and linear storage bins.

Compaction

A complete line of state-of-the-art Ammann compaction products is manufactured at two dedicated production sites. There is broad product diversity – from attachment compactors and 62 kg Rammers all the way to 25 000 kg Vibrating Rollers. Intelligent Compaction systems help contractors reach goals quickly and efficiently while our team of experts is always available to help. The Ammann global network and its partners ensure the utmost customer support – anywhere, at any time.

Road Pavers

You will find the right paver to meet virtually any jobsite requirement. Ammann’s pavers range in weight from 1 t to 15 t and offer paving widths from less than 1 metre up to 6,5 metres. The diversity ensures that our equipment fits any and all applications, ranging from footpaths and cycle tracks to parking lots, rural roads and main highways.

Batch Process

**EcoBatch
JustBlack**
80–240 t/h



Stationary and Semi-Mobile
Page 6 / 56

UniBatch
80–340 t/h



Stationary and Semi-Mobile
Page 10 / 58

Universal
160–450 t/h



Stationary
Page 14 / 62

**QuickBatch
SpeedyBatch**
140–280 t/h



Mobile
Page 20 / 64

EasyBatch
90–140 t/h



Super-Mobile
Page 26 / 66

BlackMove II
240–320 t/h



Super-Mobile
Page 30 / 67

Continuous Process

ContiMix
120–320t/h



Stationary
Page 32 / 68

Prime
100–140t/h



Super-Mobile
Page 36 / 69

**ColdMix
WM (Wet Mix)**
100–400t/h



**Stationary, Semi-Mobile
and Super-Mobile**
Page 40 / 70

Ammann Core Elements
Page 46

Ammann as1 Control System
Page 48

Ammann Customer Service
Page 50

Retrofit
Page 52

Technical Specifications
Page 56

EcoBatch 80 t/h

The compact asphalt-mixing plant

New standards for the future

The new EcoBatch sets new standards for asphalt batch mix production in the 60–80 t/h output classes. With our aim to ease production of a good asphalt mix for road construction in complex and difficult terrains, we are now all set to cater a compact and modular asphalt batch mix plant that will begin a new era in its class. This batch mixing plant is optimized to reduce wear and maintenance, and is easily accessible. Similar dimensions and core components designed to Swiss standard to maximize performance make it top performer in small asphalt mixing plant range.

Expandable modular design

This newly developed plant concept is underpinned by tried-and-tested Ammann designs. The plant is designed to accommodate in 20' container making it easy to transport it in diverse and complex terrains. The basic concept already makes provision for all conceivable options, which can be retrofitted quickly and easily include a cold or hot reclaimed asphalt feed, liquid or solid additives and Ammann Foam – to mention only a few.



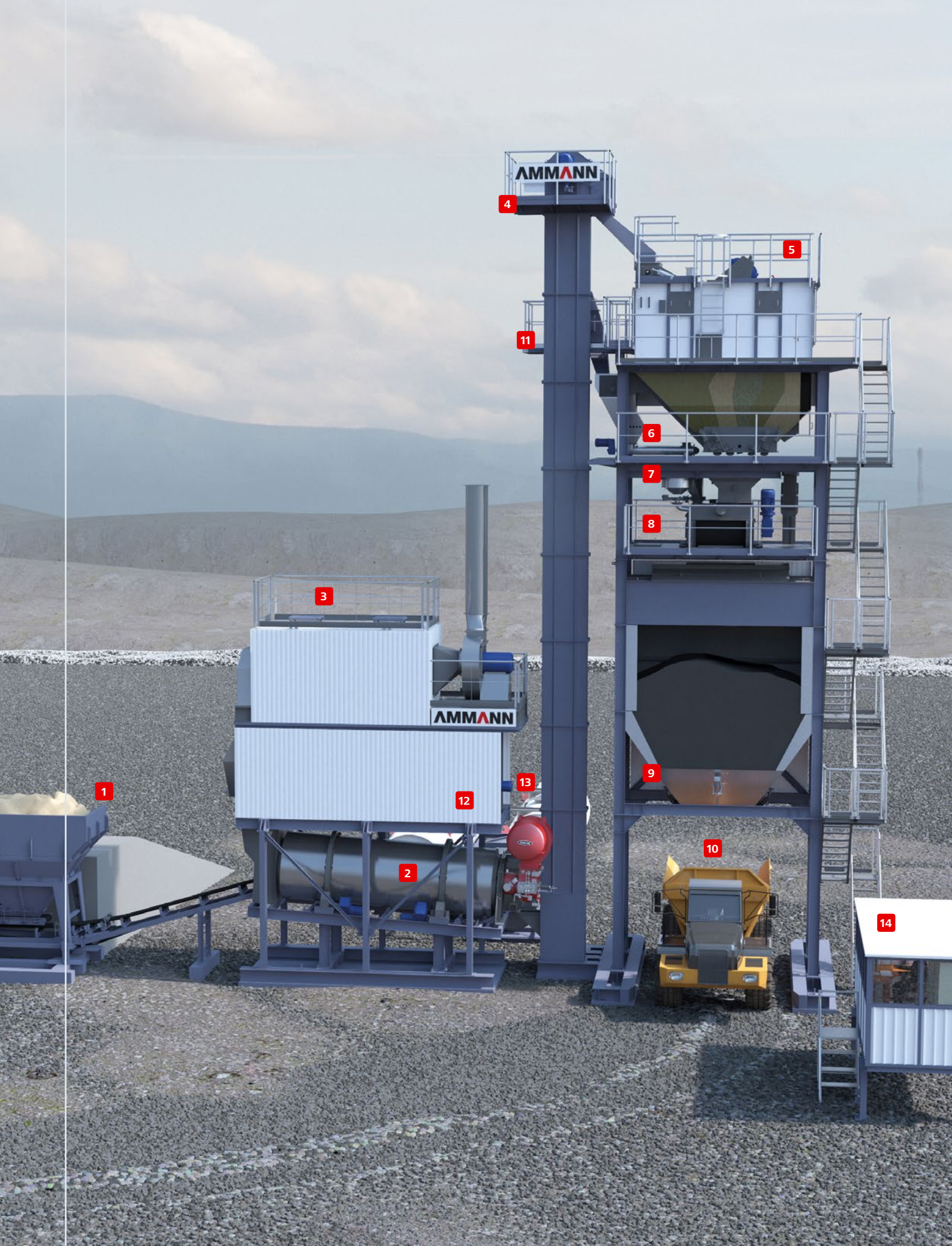
EcoBatch benefits

- Ammann designs and quality with an unbeatable cost/performance ratio
- Compact and modular construction for easy transportation
- Extremely rapid erection and implementation times with options like steel foundation and plug socket cabling
- Compact foot print – ideal for sites with space constraints
- Future ready- Extendable through host of options

The plant overview

The plant has all the systems that a regular batch type asphalt mixing plant has. It is small and compact and also built to give value for money but, it adopts all the proven and latest design principles from Ammann designs. It also offers host of options from the simplest basic plant to more sophisticated advanced version depending upon the customer needs. It also has less foot print so that it can fit into a small flat ground and ductless design eases the erection. Brief highlights of all the aspects of the plants are given in following sections.

1. Cold feeders with integrated collection belt
2. Drying drum with Ammann burner
3. Filter dust extractor with coarse dust pre-separator
4. Elevator
5. Reclassification screen VA 1230 -4
(Option: VA 1230-5) hot screen with bypass changeover
6. Hot aggregate silo with 4 (Optional 5) aggregate compartments
7. Weighing platform with aggregate, filler, bitumen scale, optional with a special additive scale
8. Mixing platform with Amix 1,2 tonne twin shaft paddle mixer
9. Option: Hot mix storage silo 50 t
10. Truck loading (direct from mixer or hot mix storage silo)
11. Filler silo tower for reclaimed and imported filler
12. Reclaimed filler storage
13. Option: Thermo oil heated bitumen tank system
14. Control container with control system



General arrangement plan for the EcoBatch 80 t/h.

JustBlack 120–240 t/h

The inexpensive asphalt-mixing plant, without compromises in quality

Up to 240 t/h output

Standardisation is worth it!

With the JustBlack, we have succeeded in designing an efficient but inexpensive asphalt mixing plant having 120–240 tonnes per hour output capacity. A high degree of standardisation and clearly-defined options make this unbeatable value for money possible.

Ammann high quality, through and through

As in all of our plants, the Just Black is based on well established, clearly-structured modules, which have proved themselves in the past. They are the very same high-quality core components, such as mixer, filter and screen, which are used in all Ammann asphalt mixing plants.

Made in Switzerland and Germany exclusively

Made in Switzerland and Germany exclusively, all of the plant components are optimally matched to ensure a problem-free, low-wear production life. State-of-the-art electronics, sensors and control technology compliment these core modules to guarantee consistent high-quality mixed product.

Quick re-location

In the Quick version, the JustBlack is supported on steel frames and comes without a concrete base. This makes it possible to re-locate the plant in a short time.

JustBlack benefits

- Ammann quality with an unbeatable cost/performance ratio
- Designed for customer contributions giving the possibility to integrate local suppliers
- All mixing tower modules are designed for a global transport for a loading in 20-foot-measurements

“JustBlack is distinguished by low investment costs as a result of a high level of standardisation and clearly defined option.”

Technical short info JustBlack

Plant type	120 160 200 240
Hot aggregate silo	19 t or 54 t 56 t or 80 t
Hot mix storage silo	Direct loading 20 – 100 t 50–100 t
Basic dimensions	Transport-optimised modules in standard container dimensions (6000 long x 2500 mm wide)



An inexpensive variant: direct loading without a hot mix storage silo.



JustBlack: Producing quality asphalt is the priority here.

UniBatch 80–340 t/h

Optimised with cutting-edge technology

New standards for the future

The new UniBatch sets new standards for asphalt mix production in the 80–340 t/h output classes. It delivers cutting-edge technology and includes all the features of current and future plant concepts. This batch mixing plant is optimised to reduce wear and maintenance, and is easily accessible. Slimline dimensions and core components designed to maximise performance make it top of our mixing plant range.

Expandable modular design

This newly developed plant concept is underpinned by tried-and-tested Ammann technologies. The plant's structure is designed to accommodate the operator's development requirements throughout the plant life. The basic concept already makes provision for all conceivable options, which can be retrofitted as required so as to optimise investments. Features that can be retrofitted quickly and easily include a cold or hot reclaimed asphalt feed, liquid or solid additives and Ammann Foam – to mention only a few.

UniBatch benefits

- Wide output range from 80 to 340 t/h
- Maximum customisation combined with top performance and economic efficiency
- Designed for worldwide use, with mixing tower modules optimized for ease of transportation
- Robust, tried-and-tested technology
- Optional feed for additives such as dye pigment, fibres, Ammann Foam, etc.
- Can be fitted and extended with numerous options at any time

“The UniBatch combines all the advantages of a standardised plant concept and provision is already made for all foreseeable options in the basic concept.”

Technical short info UniBatch	
Version	Stationary Also available as a “Quick” version on steel frame foundations
Plant type	80 S/P 100 S/P 140 S/P 180 S/P 210 S/P 240 S/P 260 S/P 300 S/P 330P 340 S/P (Standard/Performance)
Drying drum	T 1870 to T 25100 (Standard) T 1870 to T 27110 (Performance)
Hot aggregate silo 1-row	Basic module: 25 t / 36 t / 38,5 t
Mixer	1,0 t to 4,3 t
Hot mix storage silo	Standard: 40 or 30 t (2 c.) Option: outlet doors can be either in line or at 90°
Control	as1, various add-on modules such as Load Out, EcoView and Maintenance are possible
Options	Many possibilities to work with additives such as cold and hot reclaimed asphalt, Ammann Foam via foam generator, fibres, pigments, liquid additives, zeolite, etc.



Mixer with integrated options for adding hot and cold recycling.



AMMANN

KAN
INSAAT

AMMANN



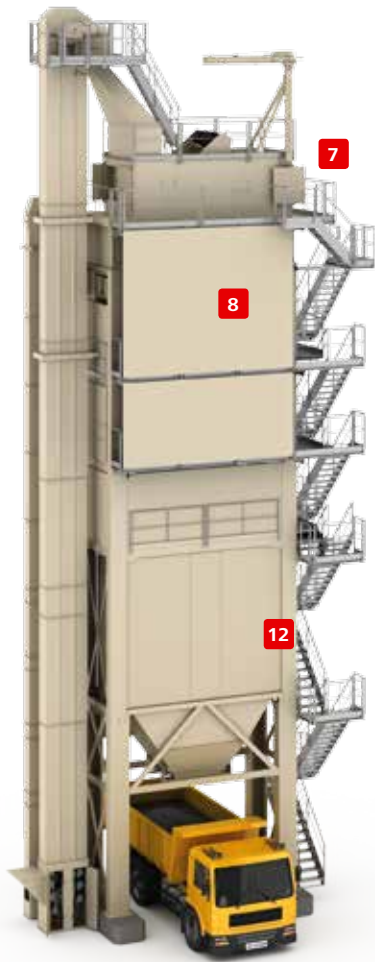
A series of useful features is available for the optimized screen, e.g. crane support, power and compressed air connections, heat package for operation with RA and mastic asphalt, etc.



The highly accurate pre-separator reduces the load on the filter and increases the quality of the operator's own filler.



The UniBatch has many possibilities to work with additives such as cold and hot reclaimed asphalt, Ammann Foam via foam generator, fibres, pigments, liquid additives, zeolite, etc.

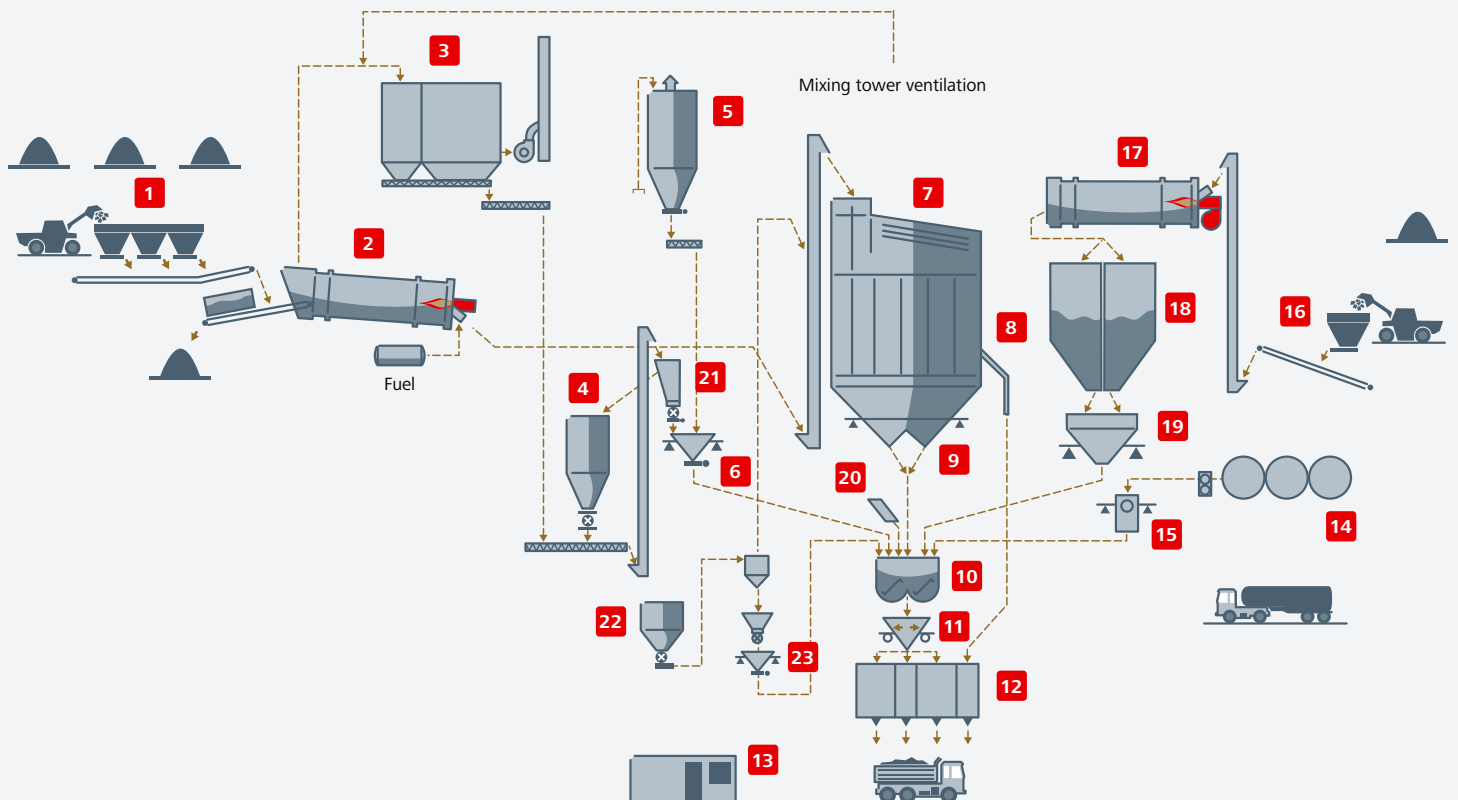


- 1. Cold feeders
- 2. Drying drum with Ammann burner
- 3. Filter
- 4. Reclaimed filler silo
- 5. Imported filler silo
- 6. Filler scale
- 7. Screen
- 8. Hot aggregate silo
- 9. Aggregate scale
- 10. Mixer
- 11. Movable hopper
- Optional: Skip (movable)
- 12. Hot mix storage silo, including direct loading
- 13. as1 control system
- 14. Electrically heated bitumen tanks
- 15. Bitumen scale

Options

- 16. Recycling feeder
- 17. Recycling drum
- 18. Recycling buffer silo
- 19. Recycling scale
- 20. Foamed bitumen addition
- 21. Buffer silo for filler
- 22. Fibre granulate addition
- 23. Fibre granulate scale

Flow diagram UniBatch with options



Universal 160–360 t/h

Top performance with maximum flexibility

A wide spectrum of possibilities

The Universal is an asphalt mixing plant that has been tried and tested over the years, with a vast range of variants. The extensive variety of available equipment enables us to offer an individually tailored plant configuration to meet virtually any customer wishes.

This means: comprehensive solutions for a vast range of market requirements. A wide spectrum of capacities and configuration is available. Storage for 200 t of hot aggregate, two separate rows of silos or a gigantic 56 m² hot screen – when it comes to flexibility, the Universal can meet virtually any requirement, and there is almost no limit to the possibilities for combining the different components. A truly “universal” plant!

Universal benefits

- A plant series that has been tried and tested hundreds of times over
- Flexible, cost-effective operation with maximum production rates
- A wide range of equipment for highly individual plant configurations

“The Universal offers mature solutions for virtually every need and a vast range of market requirement.”

Technical short info Universal

Plant type	160 240 360
Hot aggregate silo	70–200 t
Hot mix storage silo	140–340 t

Everything under one roof: The Universal is fully clad including the whole infrastructure like cold feeders, drying drum, filter, etc. The 1200 m² hall reduces noise and dust emissions, and moisture content of the aggregate is kept to a minimum.





Photo above: The Universal produces approx. 30000 t low temperature asphalt per year – that is about $\frac{1}{3}$ of its annual production. Photo under: The Universal is the classic among asphalt mixing plants in Europe – a versatile plant with high capacity. High additions of recycling are also possible via the parallel drum.



Universal HRT 320/450 t/h

For production volumes with large proportions of RA

Consistently designed for RA processing

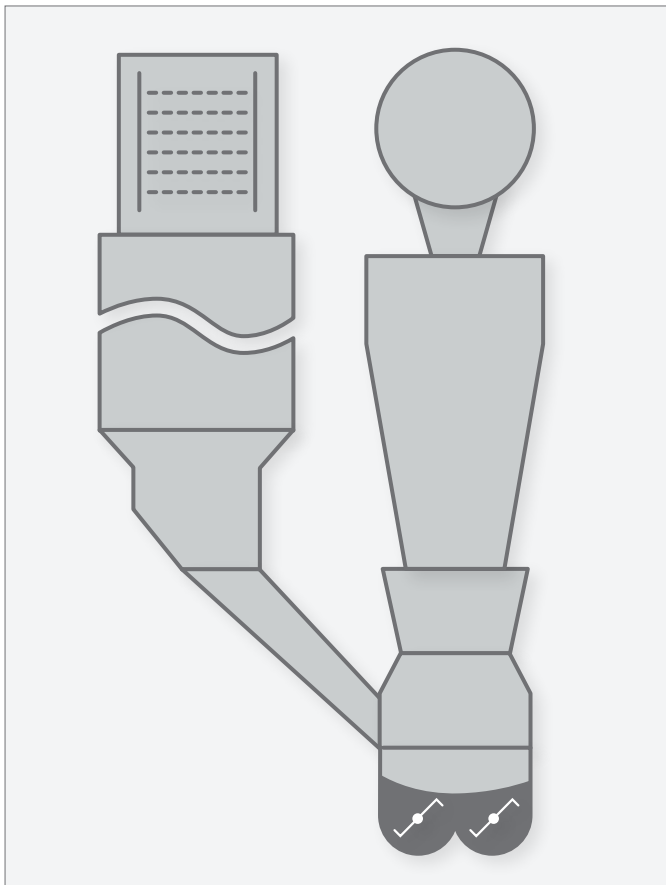
With compact dimensions, the Universal HRT sets new standards for processing high proportions of RA. The parallel drum system is integrated into the concept, and its positioning directly above the mixer optimises material flow and minimises wear inside the recycling system.

Numerous options

Foamed bitumen, fibres or pigments: the Universal HRT concept is designed to accommodate a broad range of feed options, delivering matured solutions for virtually all applications and varying market requirements.

Universal HRT benefits

- Flexible and economic solution with a high proportion of RA
- Broad range of design options allows highly customised plant configuration
- Fully integrated RA drum to optimise material flow and wear protection
- Addition of foamed bitumen, pigments, additives etc., included in the concept



The special feature of the Universal HRT is the mixing tower. The "virgin" material passes through a chute into the mixer.

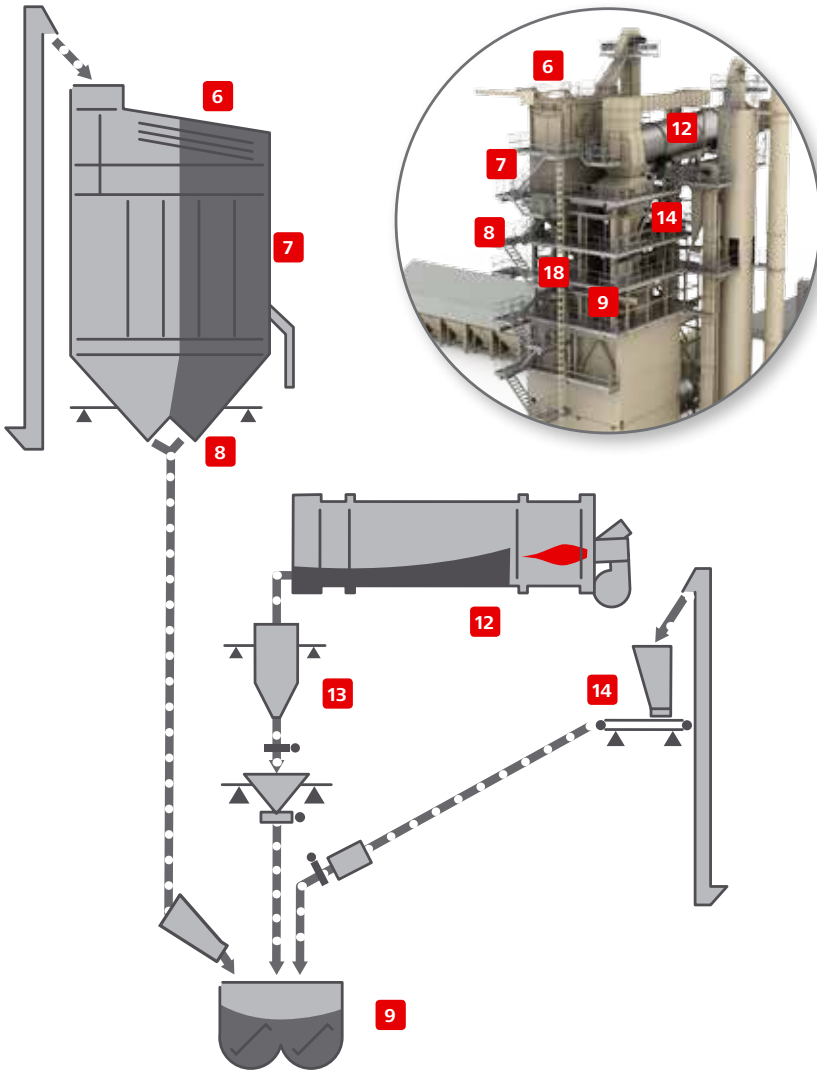


The Universal HRT with clad tower and equipped with a parallel drum for the recycling addition up to 60%.



The Universal HRT combines an optimal flow of material with minimal wear within the recycling system.

“The Universal HRT combines an optimal flow of material with minimal wear within the recycling system.”



1. Cold feeders
2. Drying drum with Ammann burner
3. Filter
4. Reclaimed filler silo
5. Imported filler silo
6. Screen
7. Hot aggregate silo
8. Aggregate scale
9. Mixer
10. Additive addition
11. Recycling addition and recycling oversize particle screening
12. Parallel drum; alternatively, RAH100 RA drum
13. Recycling buffer silo with weighing appliance and recycling scale
14. Cold recycling addition via buffer silo and belt scale
15. Bitumen tanks and bitumen scale
16. Hot mix storage silo
17. Fibre granulate addition
18. Aggregate chute



Amix mixer with aggregate chute.

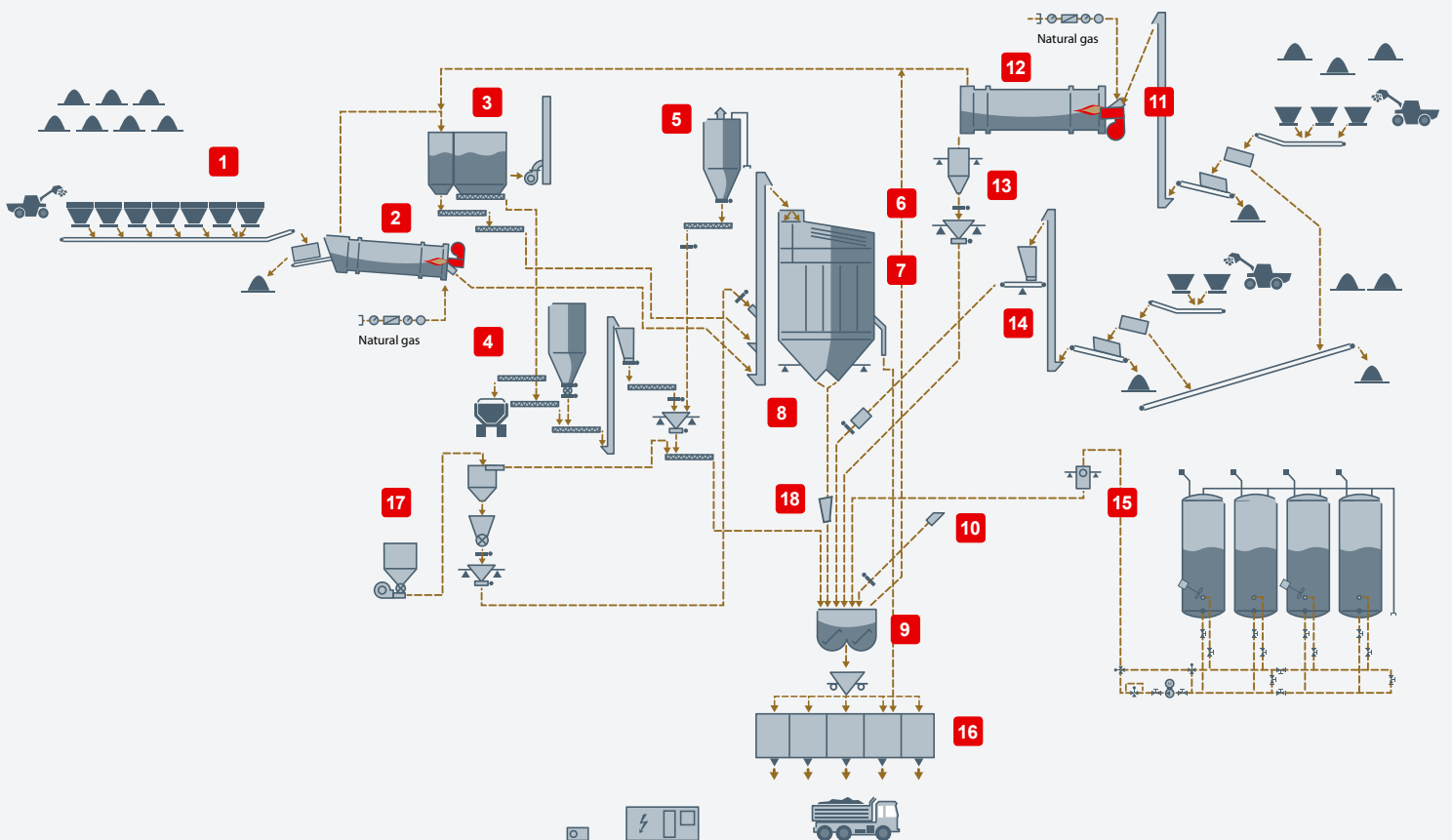


Encapsulated skip for reducing dust and smoke emissions.



The Universal HRT equipped with a parallel drum, 12 cold feeders and a 600 t hot mix storage silo with 6 compartments.

Flow diagram Universal HRT



QuickBatch 140–180 t/h

Transport-optimised for international relocation

All the benefits of a stationary plant

The QuickBatch plant is engineered for easy, cost-effective transportation and installation while still offering benefits typically associated with stationary facilities.

QuickBatch's international transporting efficiencies are built around the "container principle" logistics concept. Containers cost less to transport, and the methods for shipping them are more easily available – factors that can generate substantial cost savings, especially if a plant is repeatedly relocated.

Key core components, including dryer/filter units and mixing tower modules, utilize housings that also serve as certified transport containers. The components are built as 20' or 40' units, the most common container sizes. When it's time to move, the components are simply loaded onto the transport vehicle. The entire plant is transported in 10 units.

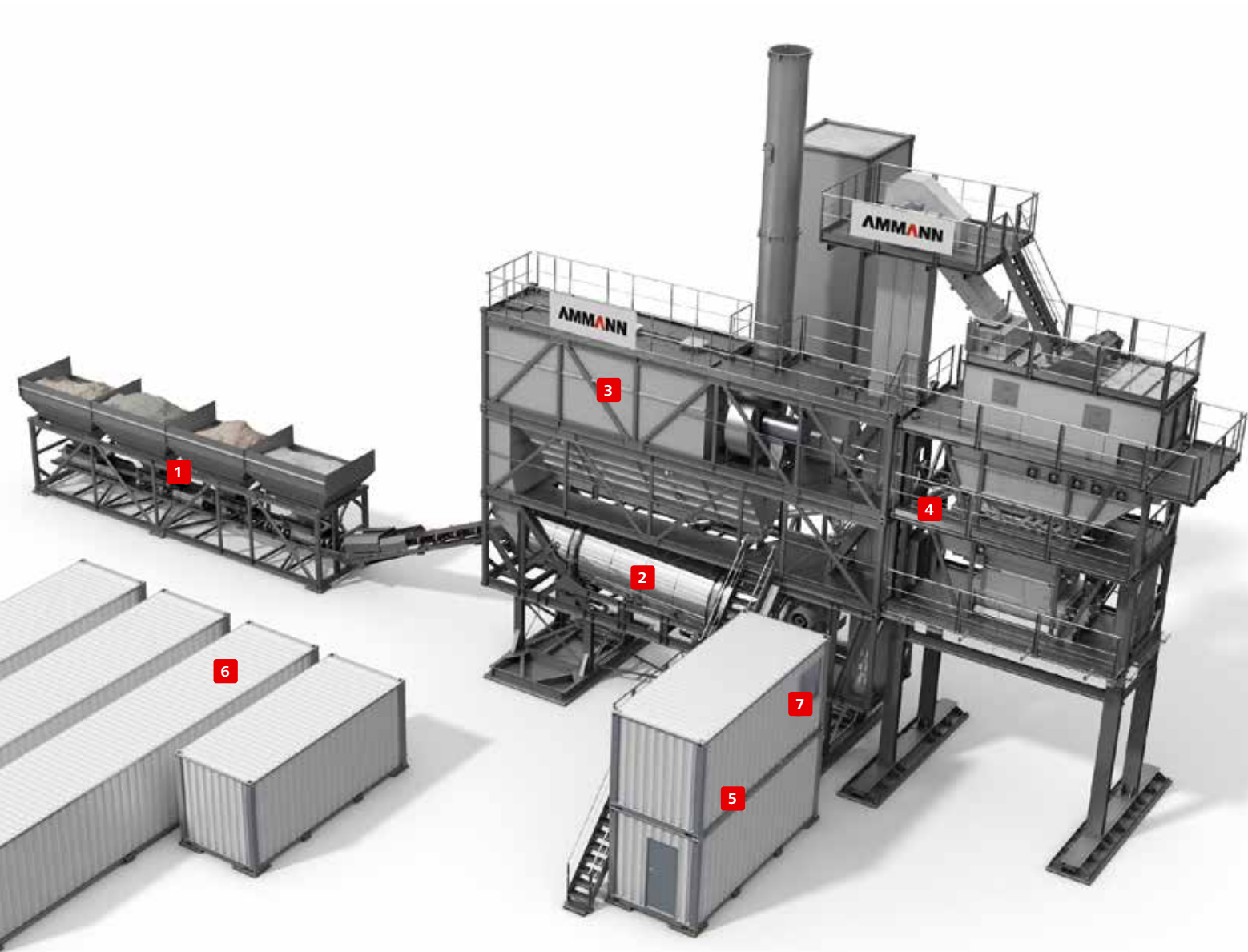
Precision separates QuickBatch from most container plants. QuickBatch strictly adheres to international standards, helping plant owners avoid complications and ensuring all sea, land and train size requirements are met.

QuickBatch benefits

- Low transport costs due to the "container principle"
- Containers precisely match international standards to avoid transport complications
- Minimal packing/unpacking when relocating
- Reduced site development costs because the plant does not require foundations
- Lower installation costs because highly functional individual modules are linked via intelligent interfaces
- Provides every full-scale stationary mixing plant advantage in terms of output, performance and space requirements
- Includes Ammann's full range of recycling solutions

Another differentiator is Ammann's commitment to manufacturing core plant components in-house. This process is crucial because of the complex process engineering and interaction between drums, burners, filters, screens, consoles and mixers.





1. Modules of four cold bins
2. High efficiency Ammann Dryer
3. Bagfilter and reclaimed filler silo
4. Screening and mixing tower
5. Control room and compressor
6. Bitumen and Fuel system
7. as1 control system

“Waterborne and overland transportation infrastructure is geared toward container transport. Containers cost less to transport, and the methods for shipping them are more easily available – factors that can generate substantial cost savings, especially if a plant is repeatedly relocated.”

"All Ammann plant core components are manufactured in-house. Ammann strictly adheres to this practice because of the complex process engineering and interaction between drums, burners, filters, screens, consoles and mixers."

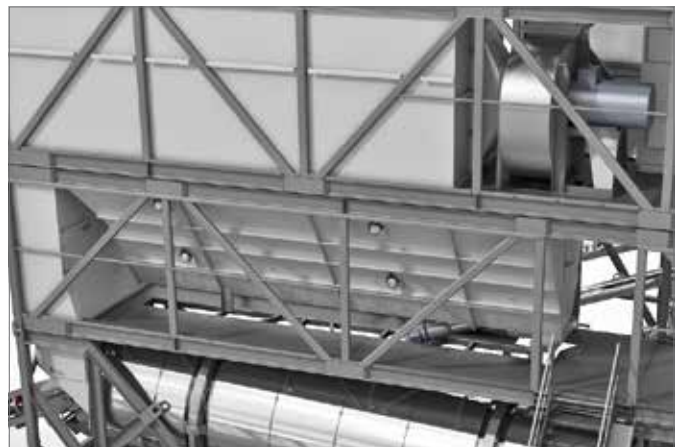
Cold Feeders

Four cold bins are housed in one 40' container, with additional bins in a 20' container. The bins have a loading width of 3.200 mm and per-bin capacity of 7 m³. The dryer conveyor is partially transported in a separate commercial container. Load plates help properly distribute the cargo.



Filter and Reclaimed Filler Silo

The bagfilter and reclaimed filler silo are in two 40' containers positioned on top of the dryer. Gas ducting from the dryer to the filter are integrated into each module. The air exhauster and electrical box are fully connected to the filter. Stairs and a portion of the aggregates elevator are included in each module. Base plinths, load distribution plates and the chimney are transported in a separate commercial container.



Dryer and Burner

The new high-efficiency Ammann dryer is housed in a single 40' container. The dryer, burner, electrical box, exhaust gas ducting and aggregate elevator section are in a single container.



Screening and Mixing Tower

All tower components are assembled and positioned in housings designed as standard certified 20' containers. Quick-connecting catwalks and handrails are assembled on the grounds. Tower components are pre-wired with plug-and-play connections up to 11 kW, with one main electrical box at the mixer level. The screen, elevator components and other associated parts are transported in a separate commercial container. All weighing systems are in a single module.



Bitumen and Fuel System

Bitumen circulation pump, electrical box, fuel circulation pump and accessories installed in a single block designed as a standard certified 20' container. Bitumen and fuel tanks are positioned inside 40' containers. Preassembled piping is transported in a separated standard container.



Control Room

One 20' container houses Ammann as1 computer, air conditioning, windows, electrical connections and other associated parts. Another 20' container includes the compressor, compressed air tank, electrical box and other parts.



SpeedyBatch 210–280 t/h

Mobility without compromise

Capacity combined with mobility

The SpeedyBatch is a mobile asphalt batch mixing plant that can be rapidly deployed. It has a production capacity of 210–280 t/h. The individual elements of the mixing plant are perfectly configured in accordance with container dimensions, can be easily assembled with the electrical and pneumatic connections integrated into the plant concept ready for connection.

Clever detailed solutions

For example, the cable channels are pre-integrated into the catwalks. This guarantees clean cable channelling and the cables themselves are fully protected against damage during transportation. The reclaimed filler silos and external filler silos are a part of the support structure and are fully integrated between the filter and drying drum. Expensive and high-maintenance elevators are therefore not necessary.

Extensive Capacity Range

Depending on customer requirements, the SpeedyBatch is available in a range of capacities. The smallest version produces 210 t/h and when equipped with the highest capacity 4 t mixer it achieves volumes of up to 280 tonnes of mixture per hour.

Technical short info SpeedyBatch	
Plant type	210 240 280
Hot aggregate silo	20–96 t
Hot mix storage silo	30–112 t or direct loading
Basic dimensions	Transport-optimised modules in standard container dimensions

SpeedyBatch benefits

- No concrete foundations required, a firm, compacted base suffices
- The plant is pre-assembled and tested in the factory
- Easy connection of cables and pipelines
- No filler elevators necessary, the filler transport is done with simple tube screws
- Extremely rapid erection and implementation times

“The SpeedyBatch is a mobile asphalt-mixing plant with a high production capacity of up to 280t/h. The innovative design enables rapid setting up on site.”



A firm compacted base is sufficient for erecting a SpeedyBatch.



Wide range of options possible: In order to increase the loading capacities, the SpeedyBatch can be equipped with a 30 t hot mix storage silo integrated into the base or a 112 t horizontal hot mix storage silo. Furthermore, the plant can be equipped with cold or hot recycling.



EasyBatch 90–140 t/h

The most super-mobile and compact plant on the market

The super-mobile mixing plant

The EasyBatch was consistently designed with maximum mobility in mind. It is available with 90 t/h and 140 t/h capacity. This complete, stand-alone asphalt mixing plant fits onto just two trailers, and can be set up with no need for lifting gear. This makes the EasyBatch ideal for multiple relocations during the year, and it is ready to produce again within two days of a move. The plant was specifically designed to produce asphalt reliably and independently in regions with little developed infrastructure.

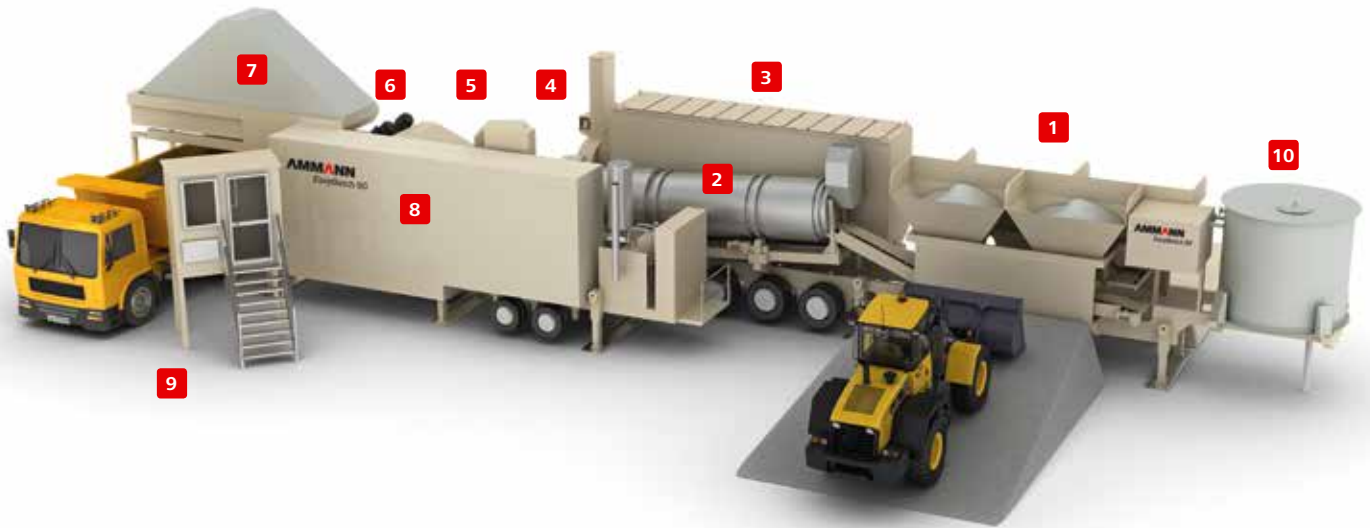
EasyBatch benefits

- No concrete foundations required, a consolidated surface is sufficient
- Plant is pre-assembled and tested at the factory
- Max. width: 3 metres
- Can be installed without a crane
- Extremely fast set-up and relocation times
- Wide range of options

“The ultra-compact EasyBatch is available in the 90 t/h and 140 t/h performance categories.”



An EasyBatch 90 operating in Philippines.

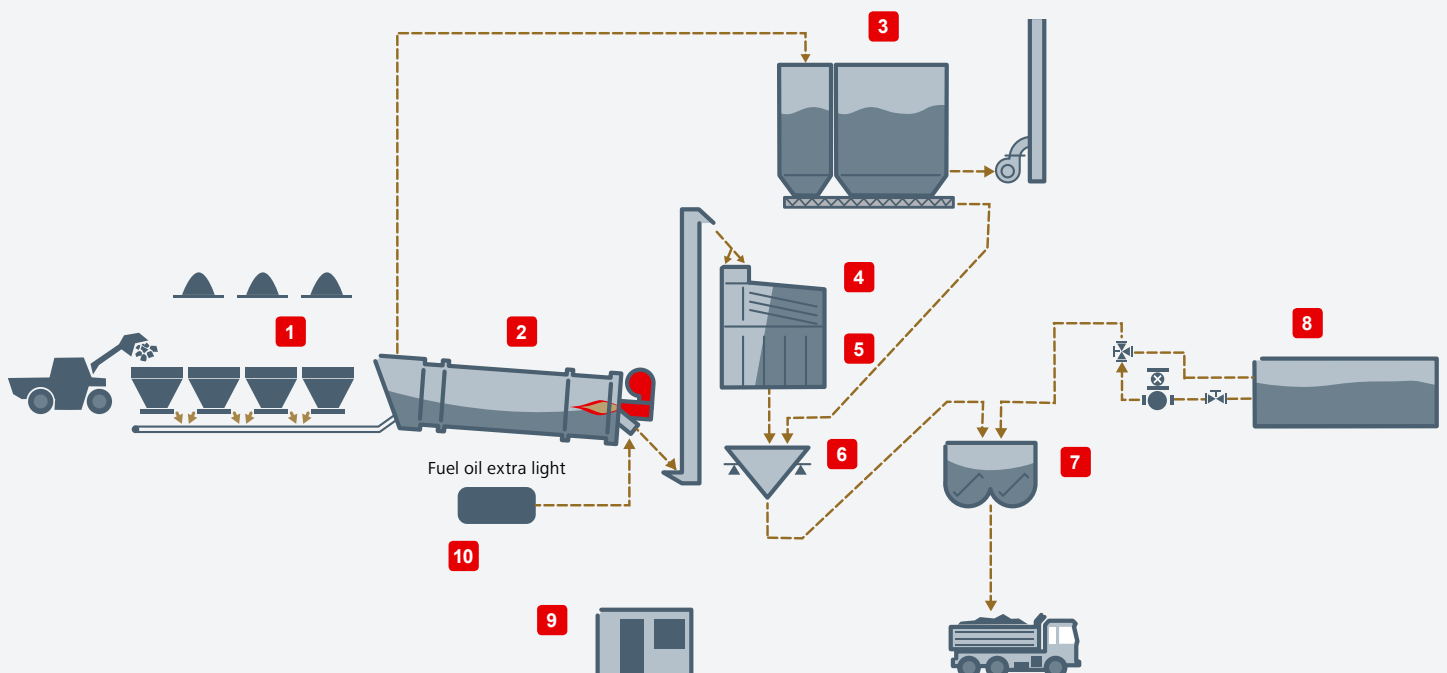


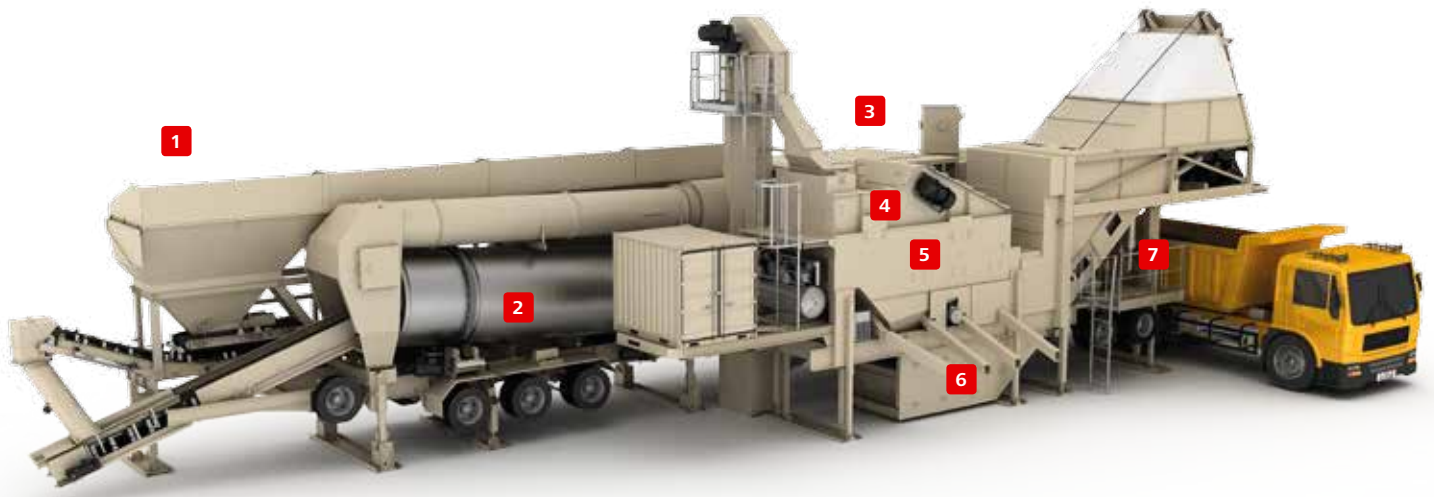
EasyBatch 90

Simply connect the EasyBatch 90 to the power supply (e.g. from a generator) and it's ready to operate. This mobile batch mixing plant delivers a maximum mixing rate of 90 t/h and is fitted with a 10 t hot aggregate silo. A filler silo or extra bitumen tanks can be added to the EasyBatch 90 as options. It is also possible to feed cold RA or additives directly into the mixer.

1. Cold feeders with four feeders
2. Drying drum with Ammann burner
3. Filter
4. Screen
5. Hot aggregate silo
6. Buckets with aggregate scale
7. Mixer
8. Bitumen tank with volumetric feed
9. as1 control system
10. Fuel tank

Flow diagram EasyBatch 90





EasyBatch 140

Thanks to its rated output of 140 t/h, the new EasyBatch 140 can also supply larger construction sites. The reasons: the larger hot aggregate silo with capacity for 15 t (which can also be fitted with five chambers as an option) and the higher mixer output. Its width of only three metres and maximum height of 4,25 metres allow this plant to be transported anywhere in the world. Furthermore, both trailers are fully sealed against dust. The EasyBatch 140 can be fitted or retro-fitted with a variety of options.

Flow diagram EasyBatch 140

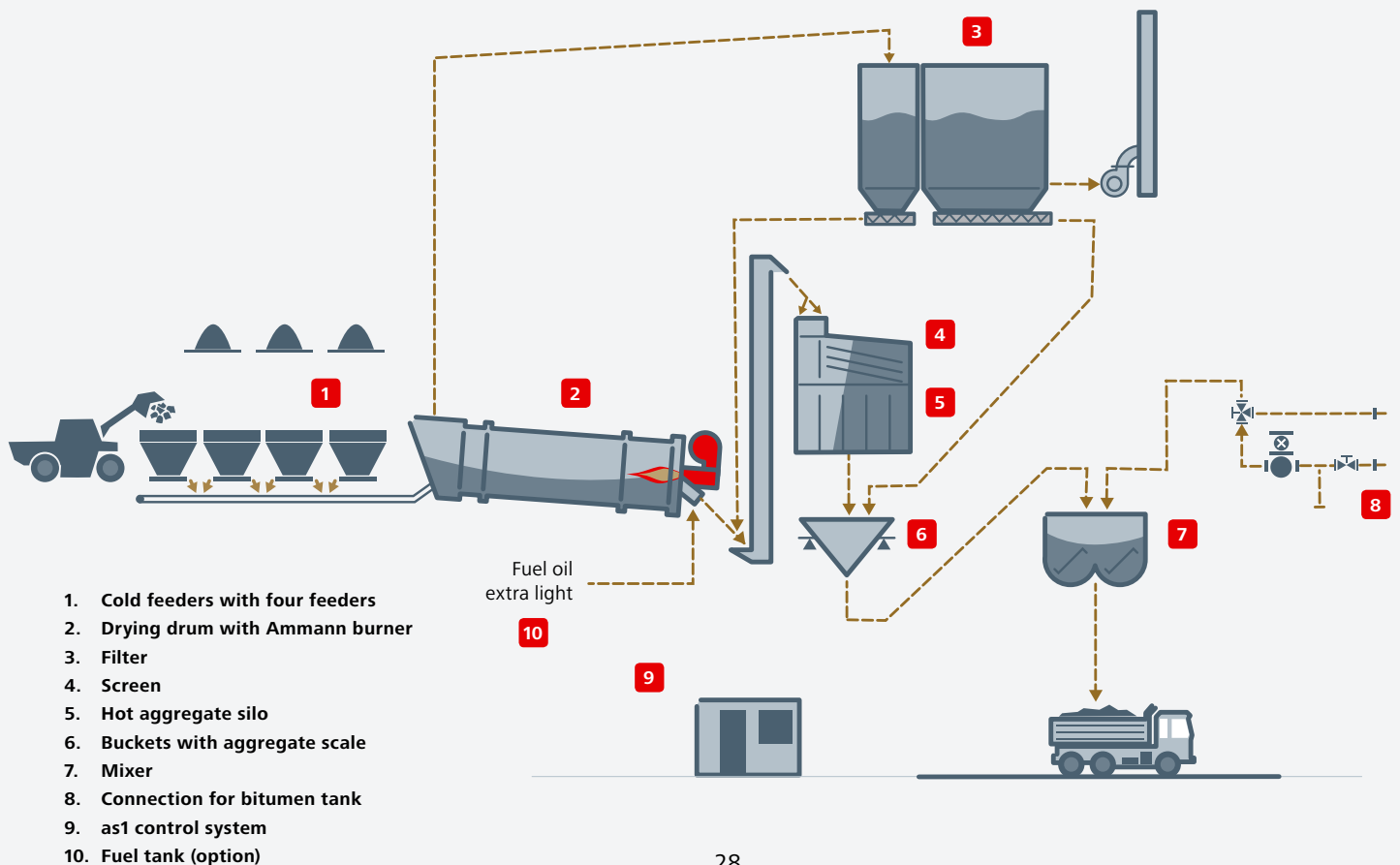




Photo above: The EasyBatch 140 in working position.

Photo under: The EasyBatch 140 can be equipped with a variety of features. In example with a mobile bitumen tank.



BlackMove II 240–320 t/h

High capacity paired with autonomous mobility

Mobility & capacity: BlackMove II

The power machine amongst mobile plants

The BlackMove II is the highest capacity mobile asphalt-mixing plant on the market. With its enormous mixture capacity of up to 320 t/h and its rapid deployment times it is perfectly suited for use on large construction sites located away from major infrastructure centres. The complete mixing plant is installed on six semi-trailers, can be deployed with standard traction units and can be assembled rapidly with small capacity lifting gear. The individual elements of the mixing plant are function-tested in the factory. The assembly and commissioning of the plant on the construction site comprises simple connecting of the standard interfaces.

Wide range of options

The BlackMove II is available in the two output variants 240 and 320 tonnes per hour. The advanced design allows a wide range of optional expansions such as an RA-cold feed and a fibrous and doping material feed which can be easily retrofitted.

BlackMove benefits

- Maximum plant capacity 320 t/h
- Extremely rapid on-site assembly of the 6 semi-trailers
- Can be equipped with wide range of feed systems

Technical short info BlackMove II

Plant type	240 320
Hot aggregate silo	23 t
Hot mix storage silo	54 t or 112 t
Options	Additives like cold recycling addition, dope or fibre granulate etc.

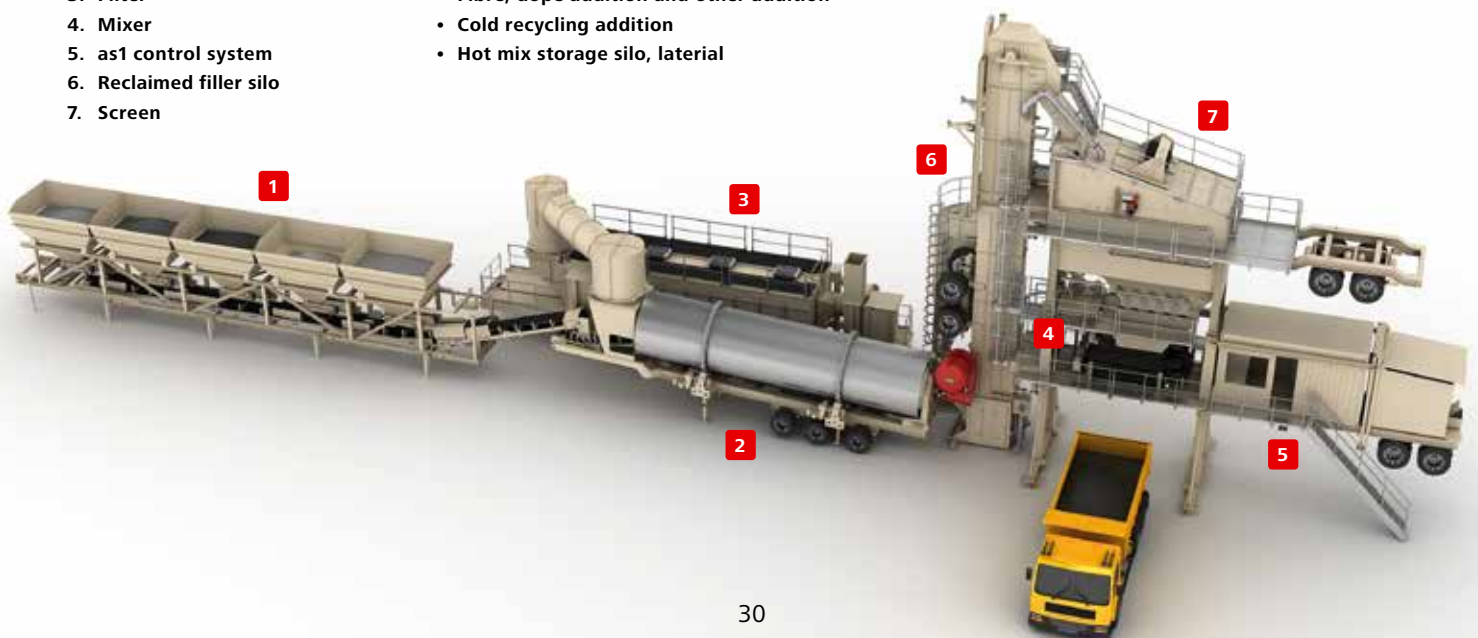
Installation plan BlackMove II

Standard

1. Cold feeders with belt scale
2. Drying drum
3. Filter
4. Mixer
5. as1 control system
6. Reclaimed filler silo
7. Screen

Options

- Bitumen tank with trailer
- Filler silo or filler tower with chassis
- Fibre, dope addition and other addition
- Cold recycling addition
- Hot mix storage silo, lateral



"The BlackMove II is the highest capacity super-mobile asphalt mixing plant on the market. With a mixing capacity of 320t/h it is particularly well suited for large construction sites."



Option: BlackMoveII with a horizontal hot mix storage silo.



BlackMoveII: Electrical Connections: Rapid "plug and socket" connection, even to the main cable, mean that an electrician is not longer needed to erect the plant.



A considerable advantage of assembly on site: The elevators (filler and hot elevator) and the bitumen pump are preassembled together with the chassis and form a solid unit all together.



Excellent view of the plant: The command room is located at the height of the mixer. The loading area is monitored with a camera.



Easy and fast to assemble on site: The platforms and the railing only need to be dipped in place.



A place for everything: The majority of small components of the BlackMove II are securely stored for transportation. For example, the bolts for the telescopic mixing tower supports are located in special storage pockets.

ContiMix 120–320 t/h

The next-generation continuous asphalt mixing plant

Batch and continuous combination

The ContiMix combines the advantages of both worlds: batch and continuous. Winning features include high production output and flexibility in its choice of recipe with the added benefit of lower investment cost.

Thanks to the twinshaft continuous mixer, the ContiMix produces a high homogeneity, constant quality, mixed material. The heat-sensitive bitumen, in particular, may be added to the mixed material outside of the dryer.

ContiMix benefits

- Investment and operating costs are cut to the minimum
- Excellent mixing performance and asphalt mix quality
- Heating and mixing processes are clearly separated
- No loss of material during start-up and shut down

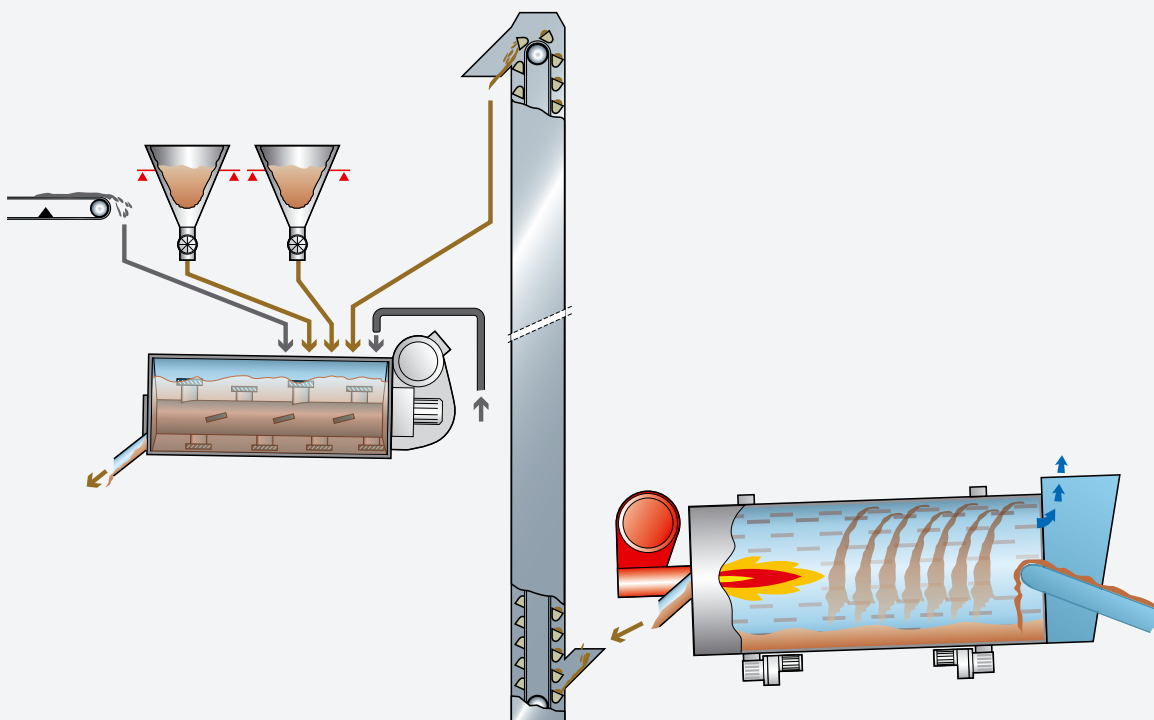
Continuous mixing process

The clear separation of the material heating and mixing processes reduces emissions and allows all the ingredients to be fed easily and accurately directly into the mixer. The mixer also serves as a buffer and allows recipe-changes on the fly, which considerably reduces the stop/start losses thereby keeping production costs low.

Ammann quality standard

As with all Ammann mixing plants the ContiMix is equipped with the tried and tested core components, such as the dryer, mixer, and control system.

Functional principle of the ContiMix



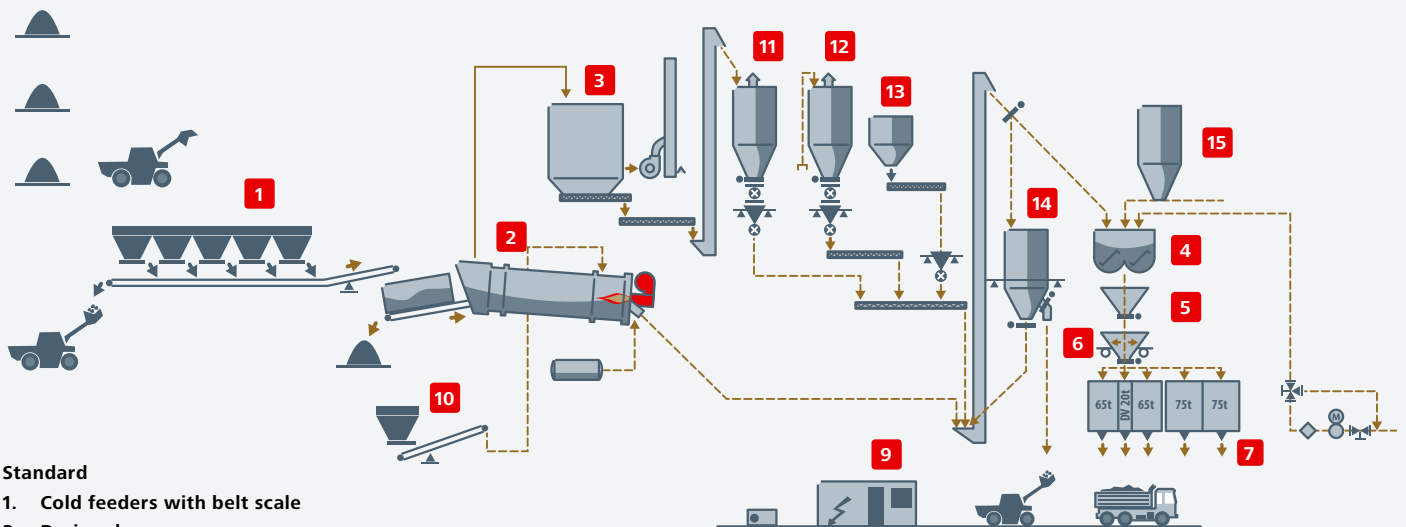
"The ContiMix is available in stationary version with an output of 120–320t/h."



The ContiMix 120–320 fulfills any requirement

The stationary version of the ContiMix is extremely compact and thus requires minimal space. Due to its low installation height the plant can also be enclosed with ease. It has also been prepared for the integration of all recycling methods. Furthermore, due to the low number of mechanical conveying elements no scraper chain conveyor is required. The encapsulation of dust and bitumen fumes is also incorporated into the concept.

Flow diagram for ContiMix with options



Standard

1. Cold feeders with belt scale
2. Drying drum
3. Filter
4. Mixer
5. Batcher
6. Skip
7. Hot mix storage silo
8. Bitumen supply
9. as1 control system

Options

10. Recycling addition with recycling-feeders
11. Reclaimed filler silo
12. Imported filler silo
13. Fibrous granulate addition
14. Bypass silo
15. Addition foamed bitumen

Production of special pavings possible

With ContiMix, special pavings such as SMA, low temperature and coloured asphalt or asphalt with recycling additive may easily be produced. With this design, the widest variety of special material additives, such as fibrous materials and cold or hot recycled additive, can be used. By means of the load-dependent outlet valve on the mixer, the mixing times for each individual recipe can be set easily and accurately.

Mixing with foamed bitumen

As an option, the ContiMix capabilities can also be expanded with a foamed bitumen installation. This system permits the foaming of various densities of road bitumens or polymer bitumens. It can be used to manufacture, for example, cold sub-bases from 100% recycled material. The use of foamed bitumen ideally compliments a recycling additive for the mixer.

“ContiMix’s advantages are obvious. The units are compact, highly productive and offer a multitude of expansion options with consistently low production cost.”

Technical short info ContiMix

Plant type	120 180 200 250 320
Mixer	Amix twin-shaft paddle mixer with mix dwell time control for filling level
Hot mix storage silo	25–300 t
Options	Fibre granulate addition, mixing with foamed bitumen, recycling



Addition of additives (granulate).



Single-track hot mix storage silo in throughput direction.



Cold feeders with indicator light and laser level control.



Precise dosing of the bitumen with the aid of the coriolis meter.



Photo above: Before cladding the mixing tower – the ContiMix is equipped with a recycling drum RAH100.
Photo under: ContiMix fully clad (internal view).



Prime 100–140 t/h

Flexible, pure and simple: The continuous mixing plant

Top mobility guaranteed

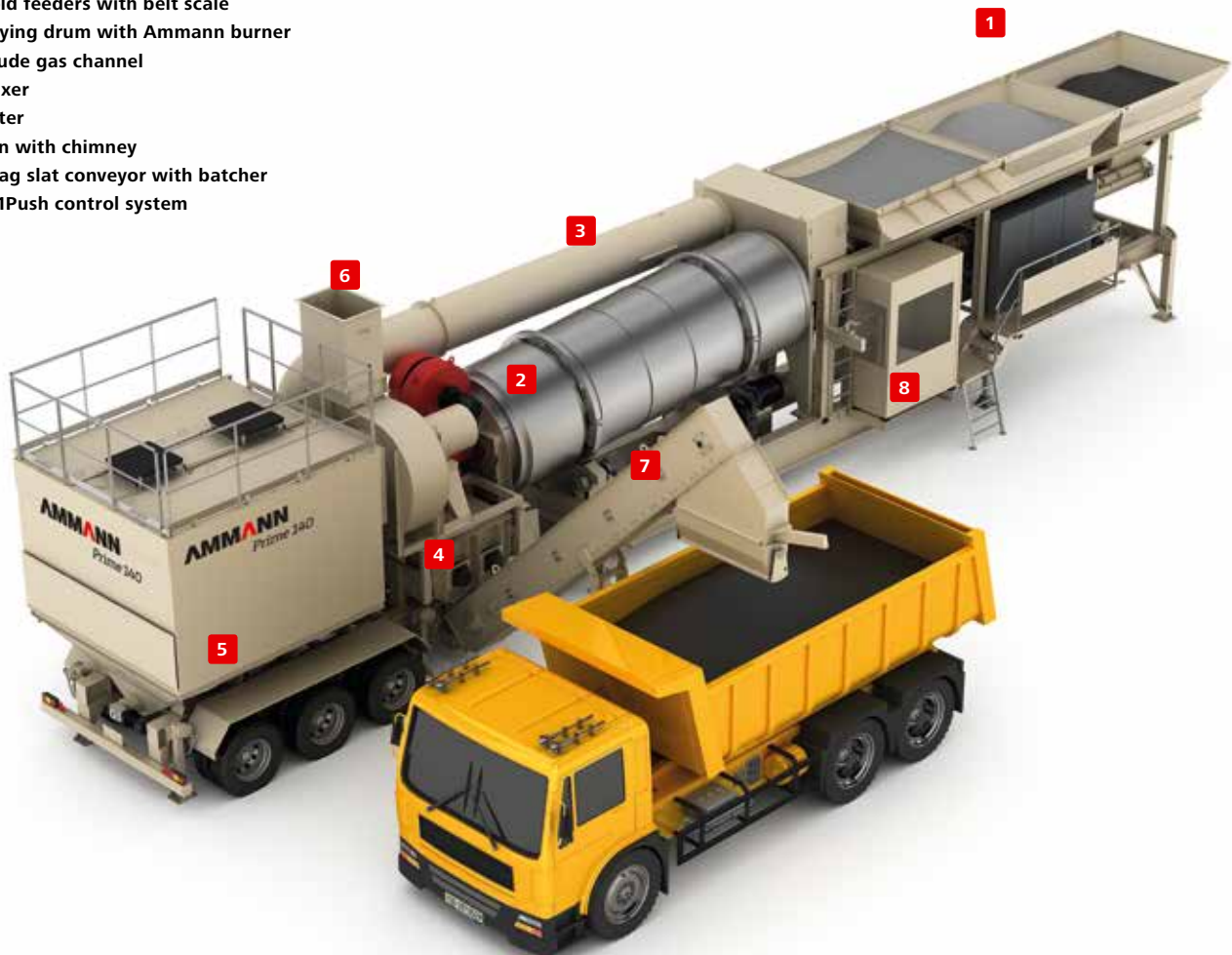
Prime 140 is the highly mobile version of Ammann's very successful continuous asphalt mixing plants. It was developed specifically for markets where high mobility is in demand. All continuous asphalt mixing plants from Ammann are equipped with a continuously running two-shaft paddle mixer, and the Prime 140 is no exception. One of its special features is a controllable outlet gate that enables the filling height and therefore the mixing time to be set depending on recipe and output. The outlet gate also drastically reduces losses during start-up and shut-down of production.

Prime benefits

- Highly mobile, compact continuous asphalt mixing plant
- Produces high-quality asphalt thanks to the clear separation of the drying and mixing processes
- Additives, fibres, Ammann Foam etc., can be added optional far away from the heat source
- Adjustable mixing time according to recipe and capacity

"The Prime is now also available with a capacity of 100 t/h."

1. Cold feeders with belt scale
2. Drying drum with Ammann burner
3. Crude gas channel
4. Mixer
5. Filter
6. Fan with chimney
7. Drag slat conveyor with batcher
8. as1Push control system



“The Prime continuously produces up to 140 t/h. This is a super compact asphalt plant. Installed on just one trailer, it offers maximum flexibility.”

Process-optimised

Clearly separating the drying and mixing processes leads to significant advantages with regard to mixing quality and emission behaviour. There is no risk of bitumen vapours or filler material contaminating the exhaust air as the dryer is fully self-contained.

The mixer is detached from the thermal process; it is therefore possible to adapt the mixing process to a specific mixing task and to feed additives such as fibres into the mix far away from where the heating process takes place. The result is an uncompromised process with optimum and independent control of each process step.

Latest technology included

Ammann is the only provider to control the entire value-adding chain and to consequentially guarantee the quality of the asphalt conditioning process from start to finish. Numerous upgrade options and accessories can be added to the Prime 140 at any time, making it the best choice to get the most out of your investment in the long term. In addition to the existing mobile and semi mobile versions, the Prime is now available as a two trailer-version.



Optional: Prime 140 with a divided tank for bitumen/fuel.



High performance drum insulation beneath an aluminium covering. Precision drum support ring spring mounted to compensate the thermal expansion.



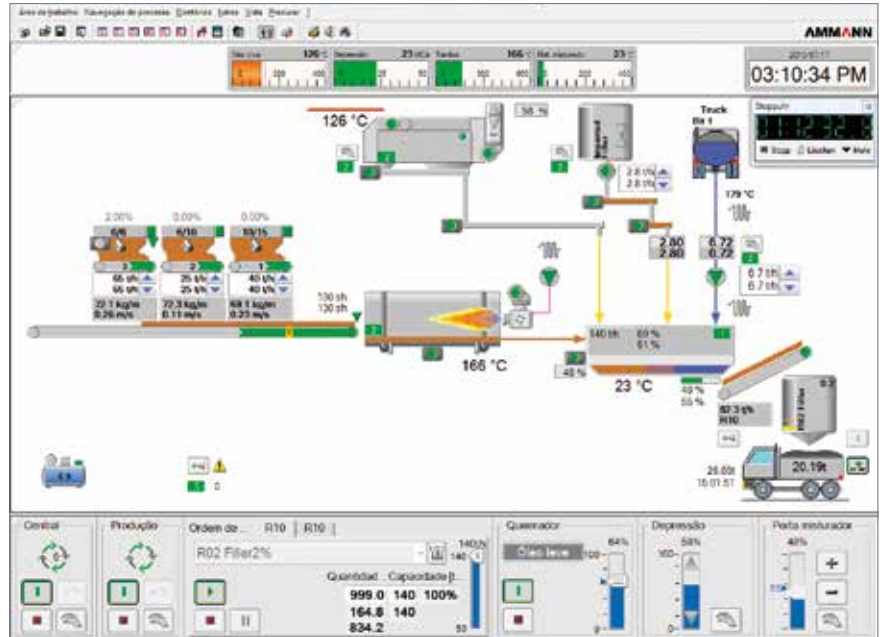
Amix twin-shaft compulsory mixer with adjustable mixing duration and a wivel-mounted drag slat conveyor with batcher. For high recycling addition to 40%, the extra long mixer is recommended.



Filter: easily accessible filter discharge screw and heat resistant Ammann filter bags.

Modern control system guarantees safe production

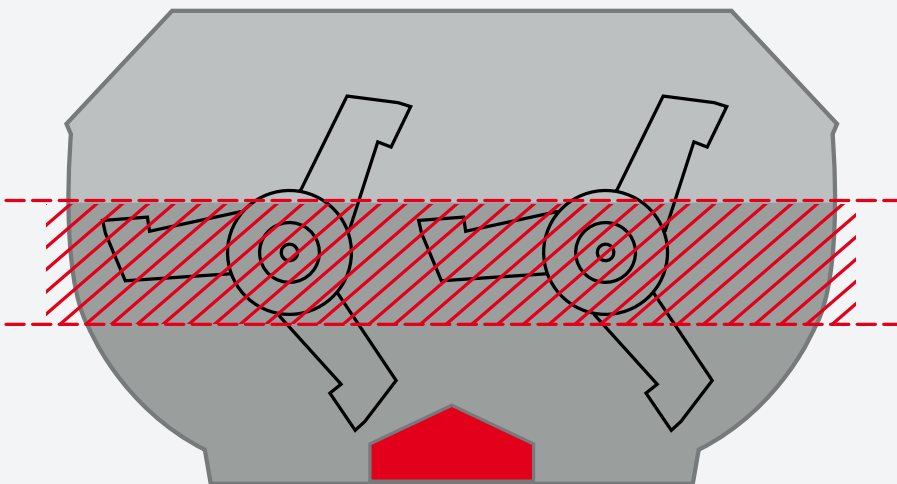
The entire plant is operated safely, simply and fully automatic with the help of control software. A modern control system regulates and controls every process and guarantees safe, high-quality production. The system alerts the operator if he needs to intervene or, in the event of an emergency, switches the plant into a safe state. The operator can switch to manual operation at any time.



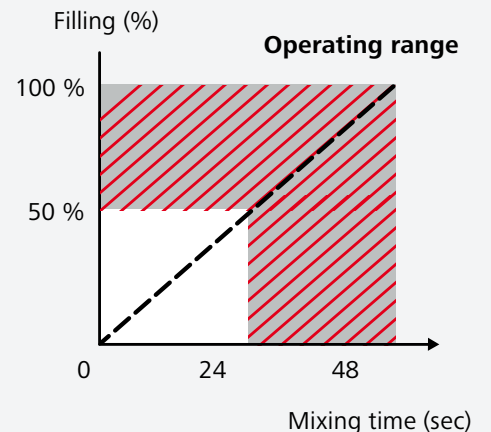
A modern control system regulates and controls every process and guarantees safe, high-quality production.

Prime 140 – Advanced continuous mixing technology

- Flexible wet mixing time
- Good mixing quality even at low bitumen additions
- Good emission values



50% reduction of the start/stop-losses thanks to the variable outlet gate



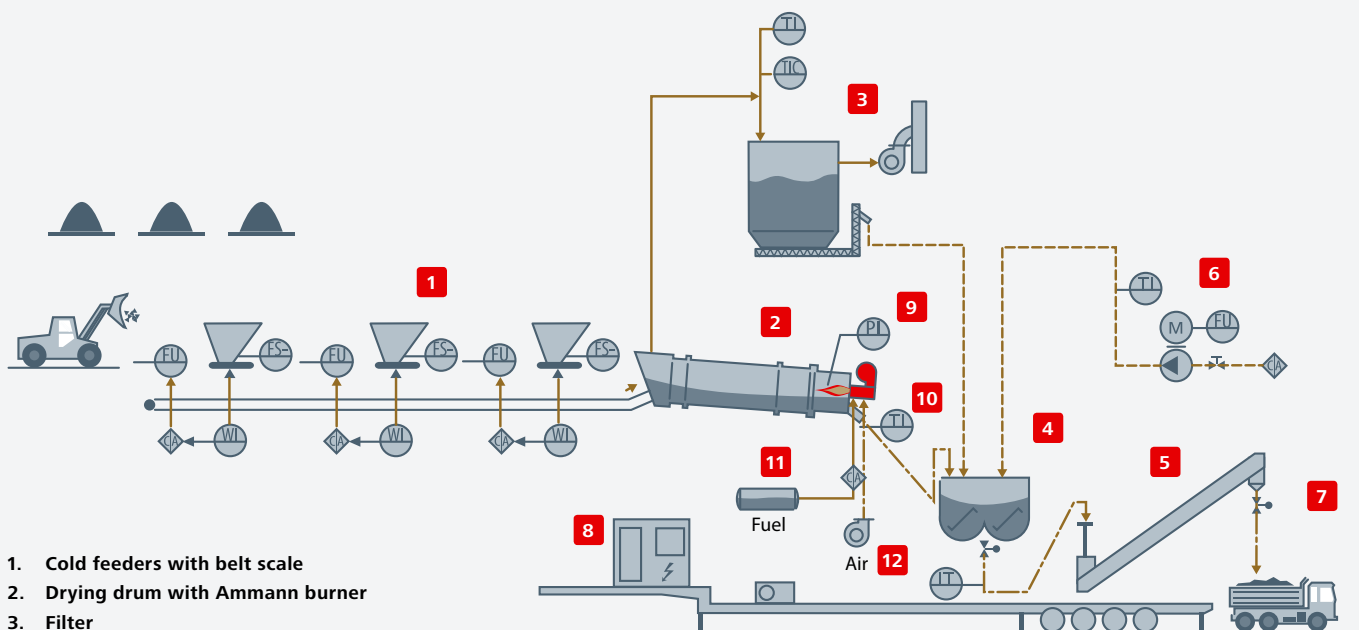


Cold feeders with gravimetric device.



Drying drum with optimised efficiency high performance burner and the Amix twin-shaft compulsory mixer with adjustable mixing duration.

Flow diagram Prime 140



- | | |
|---------------------------------------|---|
| 1. Cold feeders with belt scale | 10. Temperature measurement with control function and display |
| 2. Drying drum with Ammann burner | 11. Fuel tank |
| 3. Filter | 12. Compressed air system |
| 4. Mixer | |
| 5. Drag slat conveyor with batcher | |
| 6. Electrically heated bitumen system | |
| 7. Truck loading station | |
| 8. as1Push control system | |
| 9. Pressure measurement | |

ColdMix 130–400 t/h

Flexible, pure and simple: The continuous cold mixing plant

Stationary, semi-mobile and super-mobil

The ColdMix is a compact, extremely efficient cold mixing plant. Due to rising fuel prices and tougher environmental regulations, this method of mixed material production is becoming increasingly popular. Asphalt with foamed bitumen, emulsion-based cold asphalt and also hydraulically-bonded bearing layers can be manufactured with a cold mix.

ColdMix benefits

- Compact and continuous plant with excellent mixing performance and asphalt quality
- Low-cost transport with just a few transport units
- Modular plant concept with steel frame foundations
- Can be moved with your own resources (staff, transport and lifting gear)



The ColdMix 130–400 is available as a mobile plant or, in this example, as a stationary plant with a capacity of up to 400 t/h.

Cold-mix asphalt with bitumen foam

“Foam Asphalt”, as it is known, has become much more popular in recent years. This is a simple and highly effective method of producing cold asphalt. Water is sprayed through nozzles into the hot bitumen under pressure. The water expands explosively when the pressure is released, resulting in a fine bitumen foam that can easily be used to coat the cold aggregate substances. The quality of the cold mix can be influenced as desired by adding RA and cement. This mix is laid conventionally with finishers.

Cold-mix asphalt with emulsion

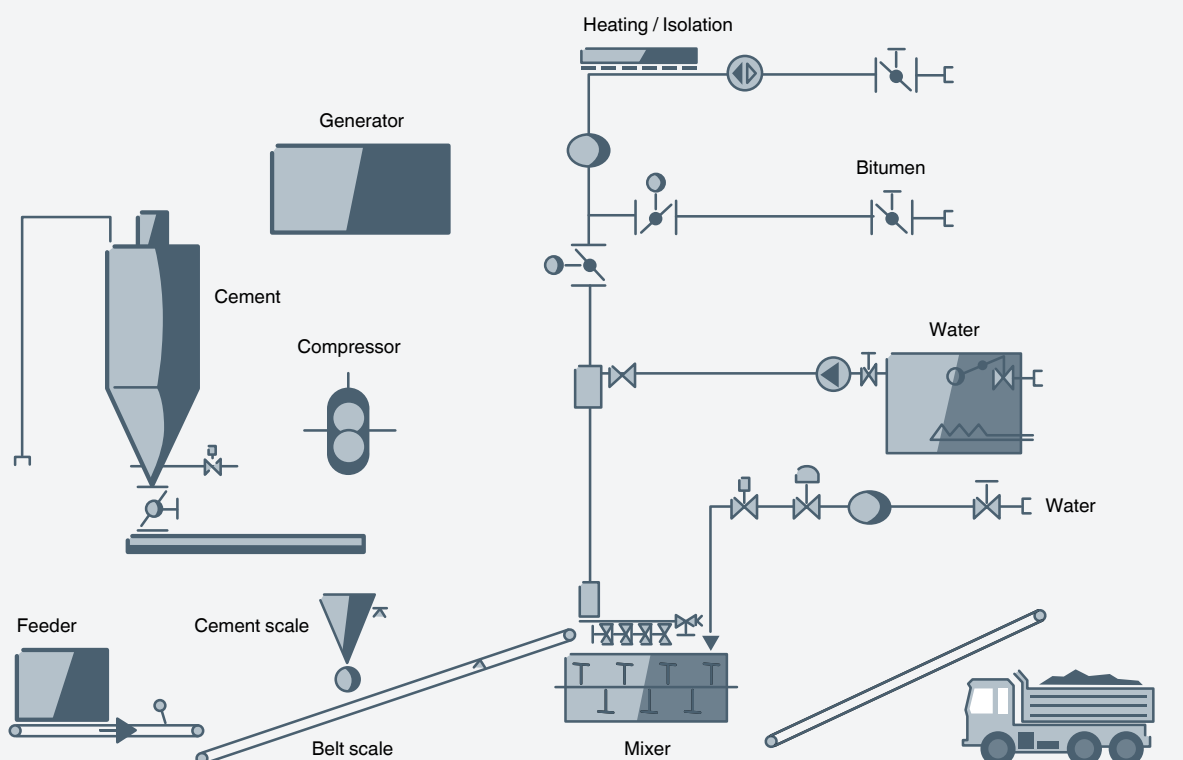
Bitumen emulsion can be mixed with virgin material and recycled asphalt to produce bitumen-bonded base courses. Although the aggregates do not have to be heated, the use of the emulsion achieves adequate wetting of the aggregates with the bitumen. The strength achieved in this way is adequate for the requirements of a high-quality base course.

Hydraulically bound base courses

New aggregates, water and cement are the ingredients for hydraulically bonded base courses. These are produced directly on site with the ColdMix I and are brought to the site with the finisher.

“The ColdMix continuously produces up to 400 t/h, regardless of whether it is hydraulically-bonded bearing layers, cold mixed material with emulsion or foamed bitume.”

Flow diagram ColdMix



High flexibility: Super-Mobile version

For total flexibility, we recommend the super-mobile ColdMix with an output of 130–200 t/h.
Where rapid re-location is necessary or crane availability is a problem, this is the solution.

Technical short info ColdMix 130–200

Version	Super-Mobile
Plant type	130–200
Transport dimensions	Length without prime mover 13350 mm Length with prime mover approx. 17550 mm Width 2550 mm Height 4000 mm Weight without prime mover 25300 kg



Easy to operate and low-maintenance.



The mobile cold-mix asphalt plant can be easily established close to the construction site. Due to the resultant reduced transport distance, delivered costs are kept to a minimum. The possibility of adding high percentages of recycled material is a further cost reducing advantage.



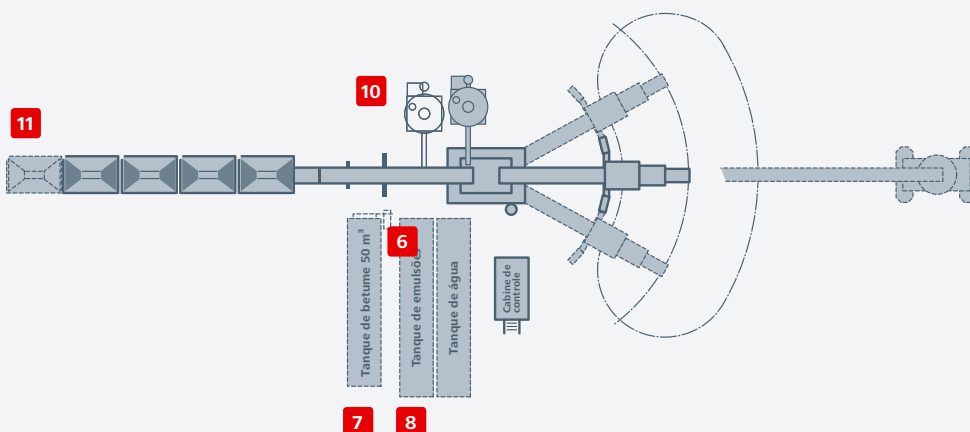
ColdMix 130-400: Flexible and multifunctional.

Mobile design for more flexibility

For even more flexibility, a “Quick” version, ColdMix, mounted on a steel frame, is available as an option.

Technical short info ColdMix 130-400	
Version	Stationary and semi-mobile
Plant type	130-400
Basic dimensions	Transport-optimised modules in standard container dimensions (6000 long x 2500 mm wide)

Installation plan ColdMix 130-400



Standard

1. Cold feeders
2. Mixing unit
3. Cement supply
4. Loading belt
5. Electrical and microprocessor control system

Options

6. Single-phase foaming device
7. Electrically-heated binding-agent tank (E-Bit)
8. Device for adding emulsion
9. Hot mix storage silo including feed belt
10. Additional cement supply
11. Additional feeders
12. Belt scale (not calibratable)

WM (Wet Mix) 100–250 t/h

Soil stabilization plants

WM series is the ideal choice for aggregate base course production, cement treated aggregate mixes, wet mix macadam and cold mix production. It gives high productivity, reliability in the toughest operating conditions. It also offers close control on mix quality and production costs. Apollo has over 650 installations of soil stabilization plants.

Pug mill unit

The twin shaft pug mill design provides fast, continuous and homogeneous mixing of aggregate and additives. The shafts are mounted on extra heavy duty anti-friction bearings for smooth function and extended life. The wear resistant alloy steel selection for paddle arm and tips ensures a long life. The reversible paddle arm tip lowers maintenance costs. The liner plates are corrosion and abrasion resistant. Pug mill mixer unit along with the control cabin can be offered on elevated legs.

Water tank metering

The plant is equipped with a water tank of adequate surge capacity, a self-priming pump, control valve and spray bar with water flow meter for accurate metering. A cleaning arrangement with flexible piping is a thoughtful add-on.

Anti segregation surge hopper

The surge hopper arrangement allows discharge into trucks without shut down and spillage. Fast acting hydraulically operated clamshell gates open across the entire width of the hopper, preventing segregation of the mix.

Controls and automation

The weather protected cabin houses the user-friendly controls that are specifically designed for industrial installations. The logically laid out panel ensures sequential operation of the various drives and precise process control. The plant can also be offered with PLC module and SCADA controls.

WM benefits

- Designed to operate in rough conditions
- Twin shaft forced mixing pug mill provides fast, continuous and homogenous mixing
- Wear-resistant alloy steel for paddle arm tips and liner plates
- Low investment and operational cost

Storage silo

The 14 cum storage silo is rigid, easy to erect and transfer. Fast opening hydraulically operated clamshell gates facilitate quick discharge of mix material into the trucks without segregation.

Fines feeding systems for cement treated aggregates base

A filter silo unit of 7/18/28 cum capacity with a bucket elevator arrangement for receiving fines (cement / lime) from bags or pneumatically from truck load. A rotary metering valve coupled with a high efficiency screw conveyor delivers the specified quantity of the pug mill unit.



"WM series is a simple, easy to operate plant giving accurate proportioning and blending."



Ammann Core Elements

Everything from one source

Ammann premium asphalt-mixing plants utilize complex process engineering that requires perfect interaction between all individual components. So essential is this integration that Ammann develops and manufactures all core components, including drums, burners, filters, screens, controls and mixers. Doing so is the only way to guarantee that our plants will meet the demanding requirements and standards of the modern market environment.

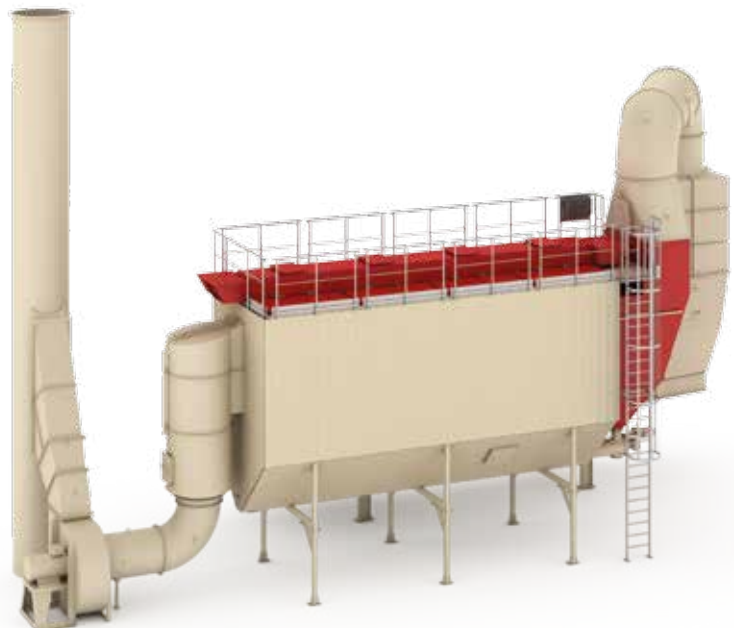
Burners and Dryers

Ammann burners and dryers are highly reliable, productive and feature proven technology. Robust, compact and energy-efficient designs minimize maintenance requirements and lessen fuel burn. The burners and dryers are adaptable to multiple Ammann plant types and built for easy operation. A wide range of options is available.



Filters

Flow is optimized through FEM analysis. The filters perform well from top to bottom and come with low maintenance demand. Ammatex® filter bags offer high temperature resistance and eliminate the need for a fresh air damper. PTFE coating and seams create exceptional resistance. Resulting in long filter life. Improved thermal insulation adds efficiency.



Ammann is currently the only manufacturer of asphalt-mixing plants to offer this single-source approach, establishing us as a professional partner to handle every aspect of your asphalt-mixing plant. We provide answers when you need them and keep an open mind in order to fully understand your needs.

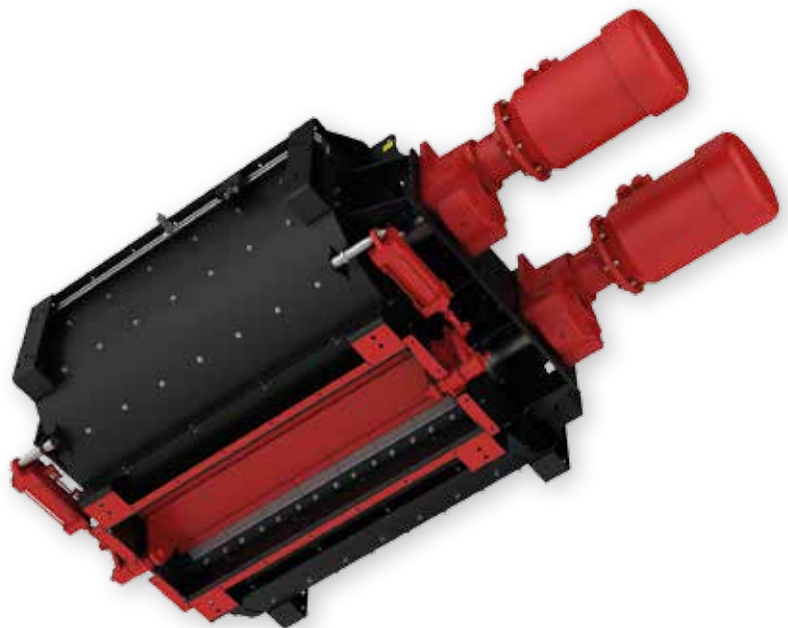
Screens

Ammann screens are highly reliable and properly sort materials. Optimal material load maximizes available screen area usage. A dust-free screen house is among the expertly engineered features. The screens are usable with a variety of Ammann plant types. Easy operation, minimal maintenance and a wide range of options are available.



Mixers

Mixers are highly reliable with short mixing times. Maintenance is minimal, and all components work seamlessly and efficiently because of Ammann's quality engineering. The operator-friendly mixers are an integral part of Ammann plants.



Ammann as1 control system

For cost-effective production of quality asphalt mix

Simple to operate – and highly reliable

Every day, Ammann plant controls successfully cope with every challenge posed by asphalt production, in 60 countries and over 2000 asphalt mixing plants. Why? Simple operation that is quickly learned, clear visualisation of the plant condition, easy-to-understand asphalt mix production and highly-reliable operation.

Asphalt production – exactly to the recipe

as1 controls are used for both batch and continuous plants. Comprehensive implementation of process technology pays off in the form of asphalt production exactly to the recipe – with every batch produced. Examples of special features in as1 controls include perfected inflight correction for precision weighing of the recipe components and dynamic switchover from coarse to fine feed for different batch sizes.

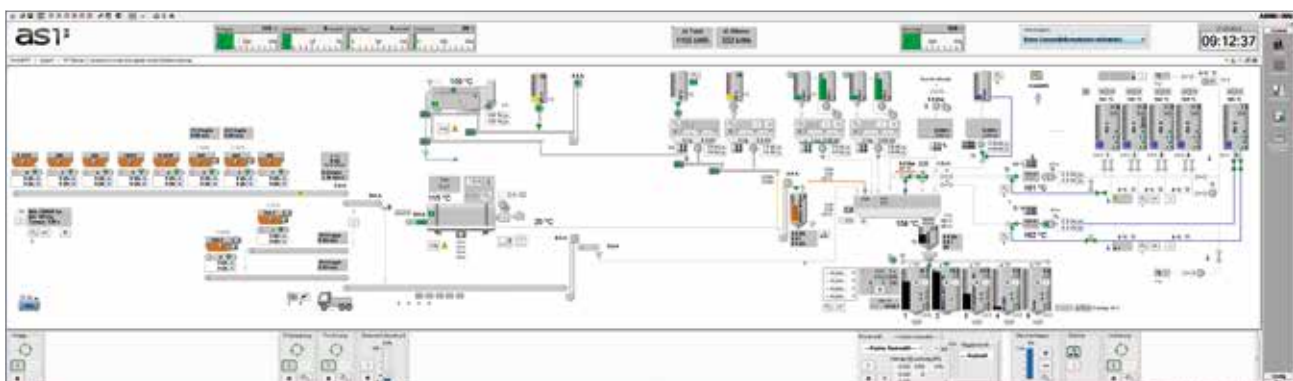
as1 benefits

- Asphalt mix production is easy to understand
- as1 control system for batch and continuous production
- Precision weighing of recipe components thanks to overrun correction
- as1 control system and weighing system are optimally inter-coordinated

“Produce quality asphalt thanks to precision weighing with the as1 overrun correction.”



as1 control system for batch production.



as1 control system for continuous production.

Optimally exploiting operational synergies

As well as the as1 asphalt control, Ammann offers a truck weighing system based on the as1 platform. Plant operators who think entrepreneurially can exploit the resultant synergies and optimise their staff deployment. For example, production can be monitored and trucks can be loaded from one single workstation.

Conversions in the shortest time possible

Converting outmoded controls is an important investment in the future. Ammann regularly converts outmoded plant controls to the as1 generation – and we can do this for plants from all manufacturers. Special conversion kits are used for our own controls. Customers benefit in three ways: Attractive conditions, short conversion times and the host of benefits that our as1 control has to offer.

Flexible workstation design

Flexible workstation design is the only way to ensure efficient plant operation. The plant operator's requirements determine how the workstation is designed: individual workstations with one or two monitors, or (for example) two parallel workstations so that the full plant capacity is utilised, especially on large plants.

Remote diagnosis saves time and money

If the nearest service point is a long way away... electro-mechanical faults can be efficiently rectified by your own specialist staff, with the help of the electrical diagrams and as1 diagnostic tools. Ammann's customer service can intervene in the plant at any time to give you support with fault diagnosis or to carry out maintenance. Modern telecommunications increase plant availability and cut down costly on-site interventions.

"Plant operators benefit from effective possibilities for bus diagnosis, clearly structured power panels and world-wide availability of quality components from reputable manufacturer."



Generously-dimensioned dual workstations make for easy and efficient working with the as1 control and order processing system.

Ammann customer service

On your doorstep

Ammann service pays off

When you purchase an Ammann plant, you automatically enjoy standard service and support from Ammann's customer service. Our extensive network of branches and agents means that we can offer you a guarantee of the shortest possible reaction times and journey distances. You can reach our experienced, practical service team by telephone, 24 hours a day.

Spare parts service with worldwide deliveries

Our highly-efficient spare parts service can supply any of 60 000 wearing parts or spare parts from stock within 24 hours to help you achieve maximum plant availability. Our experts are happy to advise you on spare parts packages and conversions.

Products and services customer service mixing plants

- Maintenance contracts
- Hotline
- Training
- Spare parts
- Amdurit wear plates
- Ammatex filter bags
- Operator club

"Optimising maintenance will increase the reliability of your plant and sharpen your competitive edge – as well as keeping operating costs low."





Ammann maintenance concepts

Today's customers require high-quality services at the right time, and at the best possible price. Ammann's maintenance concepts can be adapted and assembled precisely in line with your plant, your maintenance philosophy and your staffing situation. Our goal: to offer you the maintenance service that you need.

We advise – you take the decisions.

Regular maintenance for scales, burners, etc.

You can assemble your partial maintenance contract from these four service packages. Additional plant-specific packages are available according to your requirements.

Periodic maintenance and inspection	Burner service	Calibration service	Electro check
<ul style="list-style-type: none"> • Inspection and adjustment of belt conveyors, elevators, screens, weighing equipment and mixing modules • Other plant-specific inspections • Condition Monitoring 	<ul style="list-style-type: none"> • Burner service for industrial burners, types MIB/AMB • Checks on drying and dust extraction systems 	<ul style="list-style-type: none"> • Calibration of balances and volumetric feed equipment • Adjustment of moisture metering sensors • Calibrated flow meters (replacement basis) 	<ul style="list-style-type: none"> • Check of the entire electrical installation and the power and load panels using ultramodern measuring equipment
Recommended implementation			
2 – 6 times per year	1 time per year	1 time per year	1 time per year

Retrofit

Means optimising older plants and adapting them to modern conditions

What is retrofitting?

The market demands ever new standards, such as housing that reduces noise and dust emissions, sampling options, the production of foamed asphalt or the feeding of various additives into the asphalt mix, for instance. Satisfying these market demands often means that existing plants need to be converted, extended or adapted in some way. This is exactly what retrofitting is. Ammann offers you a broad spectrum of services for asphalt plant modernisation and conversion. Retrofitting by Ammann is available for mixing plants from Ammann and from other manufacturers.

Examples of goals and the action you should take to attain them

Target achievement	Action
Optimise energy consumption	<ul style="list-style-type: none">• Replacement of old, inefficient, thermal oil-heated bitumen tank plants with energy-efficient, electrically heated bitumen tank systems• Modernise plant control• Roof over all feeders and outdoor RA stores
Minimise CO₂ emissions	<ul style="list-style-type: none">• Use natural gas as burner fuel
Improve environmental protection	<ul style="list-style-type: none">• Refurbish processing and recycling storage area• Process rainwater with organic filters
Sustainable development	<ul style="list-style-type: none">• Use recycled asphalt to conserve gravel reserves
Increase production capacity	<ul style="list-style-type: none">• e.g. install a larger mixer

“Retrofits for old WIBAU, SIM Alfelder, Ammann and other asphalt mixing plants.”



Roofing over the pre-feed for crushed recycling is an efficient way of cutting fuel consumption.

Burner conversion

By converting to a combination burner, you can use environmentally-friendly alternatives such as natural gas, brown coal dust or extra-light heating oil as fuel. The easy-to-maintain modular design of the mechanical and electrical equipment means that the burners can be accurately set and easily maintained.

Bitumen tank conversion

There is a rising global trend towards electrically heated systems. Our electrically heated bitumen tank system "E-Bit" has a high degree of cost effectiveness thanks to high energy efficiency and reliable technology. E-Bit tanks are also extremely low-maintenance. Intelligent control of various heating circuits and the utilisation of low-cost power rates enable our systems to be operated with a high degree of economic efficiency. Replacing old thermal-oil-heated systems pays off after just a few years of operation through fuel savings alone and also results in much greater operational safety.

E-Bit tanks set new standards

Electrically heated bitumen tanks are simple to install and economical in terms of procurement, operation and maintenance. Ammann E-Bit tanks negate the need for periodic pressure testing of the thermal-oil system and emission measurement.

Filter conversion

Are you already meeting the current guidelines for compliance with emission values, or are you still using a wet dust extraction process? If you like to make savings, then Ammann filters will enable you to recover your own costly filters, so you can cut your operating costs. Installing an Ammann filter takes only a short time: Their design is robust and low maintenance is guaranteed. Can be retrofitted to all makes of plant.



Installation of a TAB burner. TAB stands for Thermal After-Burner. These burners suck off bitumen vapours, for instance in the discharge area beneath the mixed aggregate storage silo, and then burn them in the after-burner.



Bitumen plant integrated into the plant control.



Integrating a new filter into an existing old plant.

Mixer conversion

Our tried-and-tested Amix mixer is especially suitable as a replacement mixer for nearly all types of mixing plant thanks to its compact design. A new, larger mixer is often the cheapest and most effective solution to increase mixing plant capacity.

as1 – Solutions for all requirements

Ammann offers software and hardware solutions for all requirements of mixing production, e.g.

- Control systems for batch plants including mastic asphalt production
- Control systems for continuous plants
- Truck loading systems
- Truck weighing system with weighbridges
- Networking of numerous plants into a composite system
- PDF archive of production protocols and statistics
- Modernising existing Ammann or third party plants with the latest as1 control system

Custom-made RAP solutions

The usability of reclaimed asphalt, or recycling, is an absolute necessity of today. We are able to offer you custom-made solutions relating to recycling. Our modern plant technology guarantees you extremely high quality of asphalt using recycling asphalt.

Reasons for using reclaimed asphalt:

- Recycling of valuable material
- Mineral and filler product is as good as new material, only the asphalt is solid
- Less strain on new and expensive storage sites
- Protects the environment and nature
- Reduction of production costs
- New customers gained thanks to technological developments and recommendations by Ammann
- Customers can exploit reclaimed asphalt in their marketing objectives

Ammann Foam®: The foam generator

A foam bitumen installation enables you to expand the product portfolio of your mixing plant. The foam generator from Ammann enables the foaming of various different hardnesses of road construction bitumen and also polymer modified bitumen. It can also be used to manufacture cold base courses with 100 % recycled materials for example. This means that the use of foam bitumen optimally supplements the recycling feed in the mixer.



Outdated control technology.



Control station for controlling two asphalt mixing plants.



Partially modernised asphalt mixing plant.
Newly installed: Control cabin, bitumen tanks, filters, Uniglobe 200 tower.

EcoBatch 80 t/h

Plant type	80
Continual plant capacity at 3% moisture*	80 t/h
Continual plant capacity at 5% moisture	60 t/h
Number of cold feeders	4
Content cold feeders	8 m ³ each bin with extension plates
Type drying drum	T 1650 (L = 1,65 m / D = 5 m)
Burner power output	6 MW
Fuels	Standard burner for LDO. Natural gas, fuel oil, extra light/ heavy oil, brown coal dust (BCD) as option
Filter capacity AFA	15 000 Nm ³ /h
Filter surface AFA	200 m ²
Screen type	VA 1230
Screen surface	10,4 m ²
Screening	4-fraction
Hot aggregate silo 1-row	16 t
Aggregates scale	1200 kg
Filler scale	200 kg
Bitumen scale	150 kg
Mixer size / content	1,2 t
Binding agent supply	Option: Horizontal configuration, 15 t × 2 Nos. thermic oil heated bitumen tanks. Other sizes and types on request.
Filler supply	Option: Foreign filler silo and elevator in different sizes and configurations
Hot mix storage silo/compartments	Option: 50 t
Recycling addition up to 30%	Option: Recommendation: RAC directly into the mixer
* Hot mix production capacity based on following conditions: 10% bitumen and 12% filler addition, input moisture of aggregates 3%, aggregate temperature increase 150 K and 0/2 fraction share max. 40% Cycles per hour: 80.	

JustBlack 120–240 t/h

Plant type	120	160	200	240
Continual plant capacity at 3% moisture	148 t/h	160 t/h	200 t/h	240 t/h
Continual plant capacity at 5% moisture*	124 t/h	160 t/h	200 t/h	240 t/h
Number of cold feeders	4, 5 or 6	4, 5 or 6	4, 5 or 6	4, 5 or 6
Content cold feeders	10 m ³	10 m ³	10 m ³	10 m ³
Type drying drum	T 2070 (D = 2 m / L = 7 m)	T 2280 (D = 2,2 m / L = 8 m)	T 2290 (D = 2,2 m / L = 9 m)	T 2590 (D = 2,5 m / L = 9 m)
Burner power output	9,7 MW	13,9 MW	15,5 MW	20 MW
Fuels	Basic configuration: fuel oil extra light			
Filter capacity AFA	29 000 Nm ³ /h	38 000 Nm ³ /h	48 000 Nm ³ /h	57 000 Nm ³ /h
Filter surface AFA	442 m ²	590 m ²	737 m ²	884 m ²
Screen type	VA 1536	VA 1840	VA 1840	VA 2050
Screen surface	19,6 m ²	27,8 m ²	27,8 m ²	36,2 m ²
Screening	4- or 5-fraction	4- or 5-fraction	4-, 5- or 6-fraction	4-, 5- or 6-fraction
Hot aggregate silo 1-row	19 t or 54 t	19 t or 54 t	56 t or 80 t	56 t or 80 t
Aggregate scale	2000 kg	2000 kg	3000 kg	3000 kg
Filler scale	250 kg	250 kg	300 kg	300 kg
Bitumen scale	185 kg	185 kg	315 kg	315 kg
Mixer size/content	2 t	2 t	3 t	3 t
Binding agent supply	E-Bit, horizontal boxtanks, 2 × 55 m ³			
Filler supply	1 reclaimed filler silo 40 m ³			
Hot mix storage silo/compartments	Direct loading, 20 t in 1 compartment, 50 t or 100 t in 2 compartments		Direct loading, 50 t or 100 t in 2 compartments	
Recycling addition up to 30%	Recommendation: RAC directly into the mixer Alternative: RAC into the elevator			
Recycling addition up to 50% / 60%	RAC via ring into the RAH50 drum			

* Hot mix production capacity based on following conditions: 10% bitumen and filler addition, input moisture of aggregates 5%, aggregate temperature increase 175 K and 0/2 fraction share max. 40% | Mixing cycles 80 per hour.

UniBatch 80–340 t/h (standard)

Plant type	80	100	140	180
Number of cold feeders	As desired			
Content cold feeders	7,5 m ³ , 10 m ³ , 12 m ³ or 15 m ³			
Type drying drum	T 1870	T 1870	T 1870 S	T 2080
Diameter / length	1,8 m / 7 m	1,8 m / 7 m	1,8 m / 7 m	2,0 m / 8 m
Drum drive	4 × 7,5 kW	4 × 7,5 kW	4 × 7,5 kW	4 × 11 kW
Max. drying capacity at 3 % moisture	77 t/h	93 t/h	127 t/h	171 t/h
Max. drying capacity at 5 % moisture	62 t/h	74 t/h	100 t/h	136 t/h
Burner power output	5,9 MW	7 MW	9,3 MW	12,4 MW
Fuels	Natural gas, LPG, light oil, heavy oil			
Filter capacity AFA G5	18000 Nm ³ /h	23000 Nm ³ /h	29000 Nm ³ /h	38000 Nm ³ /h
Filter surface AFA G5	240 m ²	300 m ²	360 m ²	480 m ²
Type screen	VA 1230	VA 1230	VA 1536	VA 1536 S
Screening	4-fraction	4-fraction	4- or 5-fraction	4- or 5-fraction
Screen surface	13 m ²	13 m ²	15–20 m ²	15–20 m ²
Hot aggregate silo 1-row	Basic module: 25 t Additional module: 24 t (total max. 49 t)			
Aggregate scale	2500 kg	2500 kg	2500 kg	2500 kg
Filler scale	300 kg	300 kg	300 kg	300 kg
Bitumen scale	200 kg	200 kg	200 kg	200 kg
Mixer size / max. content*	1,0 t / 1,2 t	1,0 t / 1,2 t	1,5 t / 1,7 t	2,0 t / 2,2 t
Max. mixer capacity	102 t/h	102 t/h	144 t/h	187 t/h
Continual plant capacity**	80 t/h	100 t/h	140 t/h	180 t/h
Binding agent supply	E-Bit, horizontal or vertical configurations, 60 m ³ , 80 m ³ , 100 m ³ , also divided tanks available. Option: hot oil heated tanks			
Filler supply	According to customer's wishes: reclaimed and imported filler silos or filler towers in different desired configurations			
Hot mix storage silo/compartments	Standard: 40 or 30 t (2 c.) Option: outlet doors can be either in line or at 90° Option under tower: +70 t (2 c.) with 50 mm isolation up to 3 in line silos with flat skip; or simplified version 45 t or 30 t (1 c.) with 50 mm isolation as optional Option lateral with skip: 62 t (1 c.); or 63 t (2 c.) + extension 49 t (2 c.)			
Recycling addition up to 30 %	Recommendation: RAC directly into the mixer Alternative: RAC into hot elevator or via ring into the RAH50 drum			
Recycling addition up to 50 % / 60 %	Up to 50 % with recycling drum RAH50, up to 55 % with 40 % via ring + 15 % RAC into the mixer, or up to 60 % via parallel drum system			
Recycling addition more than 60 %	Via RAH100 drum system			
* The improved addition of filler and bitumen into the mixer increases mix efficiency of 85 batches per hour.				
** Hot mix production capacity based on following conditions: 10% bitumen and filler addition, input moisture of aggregates 3%, aggregate temperature increase 175 K and 0/2 fraction share max. 40% Mixing cycles 85 per hour.				

210	240	260	300	340
As desired				
7,5 m ³ , 10 m ³ , 12 m ³ or 15 m ³				
T 2080 S	T 2390	T 2390 S	T 25100	T 25100 S
2,0 m / 8 m	2,3 m / 9 m	2,3 m / 9 m	2,5 m / 10 m	2,5 m / 10 m
4 × 11 kW	4 × 15 kW	4 × 15 kW	4 × 18,5 kW	4 × 18,5 kW
193 t/h	215 t/h	240 t/h	273 t/h	309 t/h
153 t/h	170 t/h	191 t/h	219 t/h	247 t/h
13,9 MW	15,5 MW	17,1 MW	20,0 MW	22,5 MW
Natural gas, LPG, light oil, heavy oil, brown-coal dust (BCD), wood dust* (*only with T27110)				
44 000 Nm ³ /h	50 000 Nm ³ /h	58 000 Nm ³ /h	65 000 Nm ³ /h	72 000 Nm ³ /h
565 m ²	645 m ²	725 m ²	805 m ²	885 m ²
VA 1840	VA 1840 S	VA 1840 S	VA 2050	VA 2050 S
5- or 6-fraction	5- or 6-fraction	5- or 6-fraction	5- or 6-fraction	5- or 6-fraction
27–33 m ²	27–33 m ²	27–33 m ²	36–43 m ²	36–43 m ²
Basic module: 36 t Additional module: 25 t + 25 t (total max. 86 t)			Basic module: 38,5 t Additional module: 25 t + 25 t + 25 t (total max. 114 t)	
4150 kg	4150 kg	4150 kg	4650 kg	4650 kg
450 kg	450 kg	450 kg	510 kg	510 kg
260 kg	260 kg	260 kg	360 kg	360 kg
3,0 t / 3,3 t	3,0 t / 3,3 t	3,0 t / 3,3 t	4,0 t / 4,3 t	4,0 t / 4,3 t
280 t/h	280 t/h	280 t/h	365 t/h	365 t/h
210 t/h	240 t/h	260 t/h	300 t/h	340 t/h
E-Bit, horizontal or vertical configurations, 60 m ³ , 80 m ³ , 100 m ³ , also divided tanks available. Option: hot oil heated tanks				
According to customer's wishes: reclaimed and imported filler silos or filler towers in different desired configurations				
Standard: 40 or 30 t (2 c.) Option: outlet doors can be either in line or at 90° Option under tower: +70 t (2 c.) with 50 mm isolation up to 3 in line silos with flat skip; or simplified version 45 t or 30 t (1 c.) with 50 mm isolation as optional Option lateral with skip: 62 t (1 c.); or 63 t (2 c.) + extension 49 t (2 c.)				
Recommendation: RAC directly into the mixer Alternative: RAC into hot elevator or via ring into the RAH50 drum				
Up to 50% with recycling drum RAH50, up to 55% with 40% via ring + 15% RAC into the mixer, or up to 60% via parallel drum system				
Via RAH100 drum system				

UniBatch 80–330 t/h (performance)

Plant type	80P	100P	140P	180P
Number of cold feeders	As desired			
Content cold feeders	7,5 m ³ , 10 m ³ , 12 m ³ or 15 m ³			
Type drying drum	T 1870	T 1870 S	T 2080	T 2390
Diameter / length	1,8 m / 7 m	1,8 m / 7 m	2,0 m / 7 m	2,3 m / 9 m
Drum drive	4 × 7,5 kW	4 × 7,5 kW	4 × 11 kW	4 × 15 kW
Max. drying capacity at 3 % moisture	93 t/h	127 t/h	171 t/h	214 t/h
Max. drying capacity at 5 % moisture	74 t/h	100 t/h	135 t/h	170 t/h
Burner power output	7 MW	9,3 MW	12,4 MW	15,5 MW
Fuels	Natural gas, LPG, light oil, heavy oil			
Filter capacity AFA G5	23 000 Nm ³ /h	29 000 Nm ³ /h	38 000 Nm ³ /h	50 000 Nm ³ /h
Filter surface AFA G5	300 m ²	360 m ²	480 m ²	645 m ²
Type screen	VA 1230	VA 1230	VA 1536	VA 1536 S
Screening	4-fraction	4-fraction	4- or 5-fraction	4- or 5-fraction
Screen surface	13 m ²	13 m ²	15–20 m ²	15–20 m ²
Hot aggregate silo 1-row	Basic module: 25 t Additional module: 24 t (total max. 49 t)			
Aggregate scale	2500 kg	2500 kg	2500 kg	2500 kg
Filler scale	300 kg	300 kg	300 kg	300 kg
Bitumen scale	200 kg	200 kg	200 kg	200 kg
Mixer size / max. content*	1,0 t / 1,2 t	1,0 t / 1,2 t	1,5 t / 1,7 t	2,0 t / 2,2 t
Max. mixer capacity	102 t/h	102 t/h	144 t/h	187 t/h
Continual plant capacity**	80 t/h	100 t/h	140 t/h	180 t/h
Binding agent supply	E-Bit, horizontal or vertical configurations, 60 m ³ , 80 m ³ , 100 m ³ , also divided tanks available. Option: hot oil heated tanks			
Filler supply	According to customer's wishes: reclaimed and imported filler silos or filler towers in different desired configurations			
Hot mix storage silo/compartments	Standard: 40 or 30 t (2 c.) Option: outlet doors can be either in line or at 90° Option under tower: +70 t (2 c.) with 50 mm isolation up to 3 in line silos with flat skip; or simplified version 45 t or 30 t (1 c.) with 50 mm isolation as optional Option lateral with skip: 62 t (1 c.); or 63 t (2 c.) + extension 49 t (2 c.)			
Recycling addition up to 30 %	Recommendation: RAC directly into the mixer. Alternative: RAC into hot elevator or via ring into the RAH50 drum			
Recycling addition up to 50 % / 60 %	Up to 50 % with recycling drum RAH50, up to 55 % with 40 % via ring + 15 % RAC into the mixer, or up to 60 % via parallel drum system			
Recycling addition more than 60 %	Via RAH100 drum system			
* The improved addition of filler and bitumen into the mixer increases mix efficiency of 85 batches per hour.				
** Hot mix production capacity based on following conditions: 10% bitumen and filler addition, input moisture of aggregates 5%, aggregate temperature increase 175 K and 0/2 fraction share max. 40% Mixing cycles 85 per hour.				

210P	240P	260P	300P	330P
As desired				
7,5 m ³ , 10 m ³ , 12 m ³ or 15 m ³				
T 2390 S	T 25100	T 25100 S	T 27110	T 27110 S
2,3 m / 9 m	2,5m / 10 m	2,5m / 10 m	2,7 m / 11 m	2,7 m / 11 m
4 × 15 kW	4 × 18,5 kW	4 × 18,5 kW	4 × 22 kW	4 × 22 kW
240 t/h	275 t/h	310 t/h	343 t/h	349 t/h
191 t/h	219 t/h	247 t/h	273 t/h	300 t/h
17,1 MW	20,0 MW	22,5 MW	24 MW	27,2 MW
Natural gas, LPG, light oil, heavy oil, brown-coal dust (BCD), wood dust* (*only with T27110)				
58 000 Nm ³ /h	65 000 Nm ³ /h	72 000 Nm ³ /h	82 000 Nm ³ /h	92 000 Nm ³ /h
725 m ²	805 m ²	885 m ²	1045 m ²	1125 m ²
VA 1840	VA 1840 S	VA 1840 S	VA 2050	VA 2050 S
5- or 6-fraction	5- or 6-fraction	5- or 6-fraction	5- or 6-fraction	5- or 6-fraction
27–33 m ²	27–33 m ²	27–33 m ²	36–43 m ²	36–43 m ²
Basic module: 36 t Additional module: 25 t + 25 t (total max. 86 t)			Basic module: 38,5 t Additional module: 25 t + 25 t + 25 t (total max. 114 t)	
4150 kg	4150 kg	4150 kg	4650 kg	4650 kg
450 kg	450 kg	450 kg	510 kg	510 kg
260 kg	260 kg	260 kg	360 kg	360 kg
3,0 t / 3,3 t	3,0 t / 3,3 t	3,0 t / 3,3 t	4,0 t / 4,3 t	4,0 t / 4,3 t
280 t/h	280 t/h	280 t/h	365 t/h	365 t/h
210 t/h	240 t/h	260 t/h	300 t/h	330 t/h
E-Bit, horizontal or vertical configurations, 60 m ³ , 80 m ³ , 100 m ³ , also divided tanks available. Option: hot oil heated tanks				
According to customer's wishes: reclaimed and imported filler silos or filler towers in different desired configurations				
Standard: 40 or 30 t (2 c.) Option: outlet doors can be either in line or at 90° Option under tower: +70 t (2 c.) with 50 mm isolation up to 3 in line silos with flat skip; or simplified version 45 t or 30 t (1 c.) with 50 mm isolation as optional Option lateral with skip: 62 t (1 c.); or 63 t (2 c.) + extension 49 t (2 c.)				
Recommendation: RAC directly into the mixer. Alternative: RAC into hot elevator or via ring into the RAH50 drum				
Up to 50% with recycling drum RAH50, up to 55% with 40% via ring + 15% RAC into the mixer, or up to 60% via parallel drum system				
Via RAH100 drum system				

Universal 160–360 t/h

Plant type	160	240	360
Number of cold feeders	As desired		
Content cold feeders	7,5 m ³ , 10 m ³ , 12 m ³ or 15 m ³		
Type drying drum	T 2280	T 2590	T 27100
Diameter / length	2,2 m / 8 m	2,5 m / 9 m	2,7 m / 10 m
Drum drive	4 × 11 kW	4 × 15 kW	4 × 18,5 kW
Max. drying capacity at 3 % moisture	180 t/h	270 t/h	320 t/h
Max. drying capacity at 5 % moisture	161 t/h	226 t/h	275 t/h
Burner power output	13,9 MW	20 MW	24 MW
Fuels	Natural gas, fuel oil extra light, heavy oil, LPG, brown-coal dust		
Filter capacity	43 000 Nm ³ /h	57 000 Nm ³ /h	77 000 Nm ³ /h
Filter surface	663 m ²	884 m ²	1179 m ²
Type screen	VA 2050 or APSe 5.2	VA 2050/APSe 5.2 VA 2060/APSe 6.2	VA 2060 or APSe 6.2
Screening	4-, 5- or 6-fraction	4-, 5- or 6-fraction	4-, 5- or 6-fraction
Screen surface	VA 2050 = 43,5 m ² APSe 5.2 = 44,4 m ² VA 2060 = 56 m ² APSe 6.2 = 56 m ²		
Hot aggregate silo 1-row	70 t (max. 7 compartments), 120 t, 150 t, 200 t (max. 8 compartments)		
Hot aggregate silo 2-row	120 t, 160 t, 200 t (max. 14 compartments) Arrangement: 1/2 : 1/2 or 1/3 : 2/3		
Aggregate scale	4800 kg	4800 kg	4800 kg
Filler scale	600 kg	600 kg	600 kg
Bitumen scale	315 kg / 468 kg	315 kg / 468 kg	468 kg
Mixer size	3 t, 4 t or 5 t	3 t, 4 t or 5 t	4 t or 5 t
Continual plant capacity*	240 t/h, 320 t/h or 400 t/h		320 t/h or 400 t/h
Binding agent supply	E-Bit, horizontal or vertical configurations, 60 m ³ , 80 m ³ , 100 m ³ , also divided tanks available. Option: hot oil heated tanks		
Filler supply	According to customer's wishes: reclaimed and imported filler silos or filler towers in different desired configurations		
Hot mix storage silo/compartments	140 t or 180 t in 2 compartments 260 t or 340 t in 4 compartments		
Recycling addition up to 30 %	Recommendation: RAC directly into the mixer Alternative: RAC into hot elevator or via ring into the RAH50 drum		
Recycling addition up to 50 % / 60 %	Up to 50 % with recycling drum RAH50, up to 60 % with 40 % via ring + 15 % RAC into the mixer, or via parallel drum system		
Recycling addition more than 60 %	Via RAH100 recycling drum system		

* Hot mix production capacity based on following conditions: 10 % bitumen and filler addition, input moisture of aggregates 5 %, aggregate temperature increase 175 K and 0/2 fraction share max. 40 % | Mixing cycles 80 per hour.

Universal HRT 320/450 t/h

Plant type*	320 / 450				320 / 450	
Recycling system	RAH parallel drum system (parallel flow)				RAH100 system (counter flow)	
Max. recycling addition	60 %				80 %	
Number of recycling feeders	As desired					
Content recycling feeders	8 m ³ , 10 m ³ or 13 m ³					
Type recycling drying drum	RT 25110	RT 25140	RT 29120	RT 2790/170		
Diameter / length	2,5 m / 11 m	2,5 m / 14 m	2,9 m / 12 m	2,7 m / 9 m (Total 17 m)		
Drum drive	4 x 18,5 kW	4 x 22 kW	4 x 30 kW	4 x 22 kW		
Max. recycling capacity at 3 % moisture	150 t/h	180 t/h	240 t/h	180 t/h		
Max. recycling capacity at 5 % moisture	125 t/h	150 t/h	200 t/h	150 t/h		
Burner power output	9,7 MW	12 MW	13,9 MW	12 MW		
Fuels	Natural gas, fuel oil extra light, heavy oil, brown-coal dust, wood dust					
Filter capacity	77 000 Nm ³ /h				106 000 Nm ³ /h (Twinfilter)	
Filter surface	1,179 m ²				1,622 m ²	
Max. temperature increase	115 °C				155 °C	
Buffer silo recycling (RAH)	20 t or 35 t					
Recycling scale	RAH buffer silo with 5 t weigh scale or differential weighing system of the RAH buffer silo					
New mineral system	Combinable with both recycling systems above					
Number of cold feeders	As desired					
Content cold feeders	7,5 m ³ , 10 m ³ , 12 m ³ or 15 m ³					
Type drying drum	T 2590	T 25100	T 25110	T 27100	T 27110	
Diameter / length	2,5 m / 9 m	2,5 m / 10 m	2,5 m / 11 m	2,7 m / 10 m	2,7 m / 11 m	
Drum drive	4 x 15 kW	4 x 18,5 kW	4 x 22 kW	4 x 18,5 kW	4 x 22 kW	
Max. drying capacity at 3 % moisture	270 t/h				320 t/h	
Max. drying capacity at 5 % moisture	225 t/h				275 t/h	
Burner power output	20 MW	20 MW	20 MW	24 MW	24 MW	
Fuels	Natural gas, fuel oil extra light, heavy oil, brown-coal dust, wood dust					
Type screen	APS 6.2					
Screening	5- or 6-fraction					
Screen surface	56 m ²					
Hot aggregate silo	120 t or 200 t, 1-row or 2-row					
Aggregate scale	4500 kg					
Filler scale	900 kg					
Bitumen scale	520 kg					
Mixer size	5 t or 6 t					
Maximum mixing capacity	400 t/h or 450 t/h					
Cold recycling addition at 3 % moisture	Up to 25 % RAC addition directly into the mixer					
Cold recycling scale	Weigh belt 1,5 t per batch					
Cold recycling silo	2 t					
Hot mix storage silo/compartments	400 t in 4 compartments Available expansions: 600 t in 6 compartments , 800 t in 8 compartments or 1000 t in 10 compartments					
Binding agent supply	E-Bit, horizontal or vertical configurations, 60 m ³ , 80 m ³ , 100 m ³ , also divided tanks available. Option: hot oil heated tanks					
Filler supply	According to customer's wishes: reclaimed and imported filler silos or filler towers in different desired configurations					

* Hot mix production capacity based on following conditions: 10 % bitumen and filler addition, input moisture of aggregates 3 %, aggregate temperature increase 175 K and 0/2 fraction share max. 40 % | Mixing cycles 80 per hour.

QuickBatch 140–180 t/h

Plant type	140	180
Continual plant capacity at 3% moisture*	140 t/h	180 t/h
Continual plant capacity at 5% moisture	115 t/h	165 t/h
Number of cold feeders	No. 4 in standard version (additional feeders on request)	
Cold feeders capacity	7,5 m ³ each	
Drying drum type	T 1870 (L=7m / D=1,8m)	T 2080 (L=8m / D= 2,0m)
Burner power output	9,3 MW	13,9 MW
Fuels	Natural gas, LPG, light oil, heavy oil	
Filter capacity AFA	29000 Nm ³ /h	44000 Nm ³ /h
Filter surface AFA	380 m ²	480 m ²
Screen type	VA 1536	VA 1536 S
Screen surface	15–20 m ²	
Screening	4- or 5-fractions	
Hot aggregate silo 1-row	Basic module: 26 t Additional module: 44 t (total max. 70 t)	
Aggregates scale	2500 kg	
Filler scale	300 kg	
Bitumen scale	200 kg	
Mixer size/content	1,7 t	2,2 t
Binding agent supply	Eco-Bit box tanks, horizontal configuration	
Filler supply	Reclaimed and imported filler silos	
Hot mix storage silo/compartments	Standard direct loading from mixer. Option 32 t; 18 m ³	
Recycling addition up to 30%	Cold RA directly into the mixer	
Recycling addition up to 50%	–	Up to 50% with recycling drum RAH50

* Hot mix production capacity based on following conditions: 10% bitumen and filler addition, input moisture of aggregates 3%, aggregate temperature increase 175 K and 0/2 fraction share max. 40%. Capacity figures subject to ± 10% variation.

SpeedyBatch 210–280 t/h

Plant type	210	240	280
Continual plant capacity at 3% moisture*	220 t/h	247 t/h	326 t/h
Continual plant capacity at 5% moisture	218 t/h	241 t/h	260 t/h
Number of cold feeders	As desired		
Content cold feeders	14,19 m ³	14,19 m ³	14,19 m ³
Type drying drum	ES 2390 (L = 2,3 m / D = 9 m)	ES 2390 (L = 2,3 m / D = 9 m)	ES 25100 (L = 2,5 m / D = 10 m)
Burner power output	15,5 MW	17,1 MW	20 MW
Fuels	Natural gas, fuel oil extra light, heavy oil, combi oil / gas		Natural gas, fuel oil extra light, heavy oil, LGP, BCD
Filter capacity AFA	43 000 Nm ³ /h	48 000 Nm ³ /h	57 000 Nm ³ /h
Filter surface AFA	675 m ²	737 m ²	900 m ²
Screen type	VA 1840	VA 1840S	VA 2050
Screen surface	31 m ²	31 m ²	43,5 m ²
Screening	4-, 5- or 6-fraction	4-, 5- or 6-fraction	4-, 5- or 6-fraction
Hot aggregate silo 1-row	30 t or 75 t (max. 7 c.)	30 t or 75 t (max. 7 c.)	43 t or 96 t (max. 7 c.)
Aggregate scale	3200 kg	3200 kg	4320 kg
Filler scale	359 kg	359 kg	440 kg
Bitumen scale	285 kg	285 kg	380 kg
Mixer size / content	2,8 t	3 t	4 t
Binding agent supply	Hot oil heated tanks horizontal 35–50–67 m ³ . Optional: E-Bit, horizontal or vertical configurations, 60 m ³ , 80 m ³ , 100 m ³ , also divided tanks available		
Filler supply	Reclaimed filler silo horizontal (integrated in the filter), optional imported filler silos with reclaimed filler silo, filler tower in any desired configuration		
Hot mix storage silo/compartments	Direct loading, 30 t in 1 compartment, 76 t in 2 compartments, 120 t in 2 compartments		
Recycling addition up to 30%	Recommendation: RAC directly into the mixer Alternative: RAC into hot elevator or via ring into the RAH50 drum		
Recycling addition up to 50%	Up to 50% with recycling drum RAH50		

* Hot mix production capacity based on following conditions: 10% bitumen and filler addition, input moisture of aggregates 3%, aggregate temperature increase 175 K and 0/2 fraction share max. 40% | Mixing cycles 80 per hour.

EasyBatch 90–140 t/h

Plant type	90	140
Number of cold feeders	2 + 2	4 (Option: +1)
Content cold feeders	Total 24 m ³	Total 26 m ³
Type drying drum	T 1650	T 1770 S
Diameter / length	1,41 / 1,65 m / 6,5 m	1,7 m / 7 m
Drum drive	4 × 4 kW	4 × 7,5 kW
Max. drying capacity at 3 % moisture	90 t/h	140 t/h
Max. drying capacity at 5 % moisture	75 t/h	120 t/h
Burner power output	6,5 MW	9,3 MW
Fuels	Natural gas, fuel oil extra light, heavy oil	Natural gas, fuel oil extra light, heavy oil
Filter capacity	21000 Nm ³ /h	29000 Nm ³ /h
Filter surface	330 m ²	420 m ²
Type screen	VS 1440	VA 1536
Screening	4-fraction incl. Bypass	4-fraction (Option 5-fraction)
Screen surface	10,5 m ²	15,8 m ²
Number of screen decks	2 (horizontal screen)	4 (Option: +1)
Hot aggregate silo 1-row	10 t	15 t (4 compartments/Option: 5 compartments)
Aggregate scale	1200 kg	1700 kg
Filler scale	Included in aggregate scale	Option: separate filler scale
Bitumen scale	Volumetric or optional coriolis massflow system	Volumetric or optional coriolis massflow system
Mixer size	1,2 t	1,7 t
Continual plant capacity*	90 t/h	145 t/h
Binding agent supply	1 hot oil heated tanks 25 m ³	Optional
Filler supply	Optional	Optional
Hot mix storage silo/compartments	Direct loading Option: lateral 57 t–120 t in 1 c. or 76 t in 2 c.	Direct loading Option: lateral 57 t–120 t in 1 c. or 76 t in 2 c.
Recycling addition up to 30 %	Cold recycling addition (RAC) directly into the mixer	Cold recycling addition (RAC) directly into the mixer
Transport dimensions without truck (length × width × height)	Trailer 1: 19,95 × 3 × 4,48 m Trailer 2: 15,8 × 3 × 4,48 m	Trailer 1: 21,5 × 3 × 4,3 m Trailer 2: 16,5 × 3 × 4,3 m
Options	<ul style="list-style-type: none"> • Bitumen tanks • Filler silo • Coriolis flow counter for the bitumen feed 	<ul style="list-style-type: none"> • Cold recycling addition (RAC) directly into the mixer • Additional feeder • Five split screening • Bitumen foam generator • Bitumen tanks • Filler silo • Coriolis flow counter for the bitumen feed • Filler weighing scale • Diesel fuel tank
* Hot mix production capacity based on following conditions: 10 % bitumen and filler addition, input moisture of aggregates 3 %, aggregate temperature increase 175 K and 0/2 fraction share max. 40 % Mixing cycles 80 per hour.		

BlackMove II 240–320 t/h

Plant type	240	320
Number of cold feeders	5	5
Content cold feeders	7,5 m ³	7,5 m ³
Type drying drum	T 22100	T 25110
Diameter / length	2,2 m / 10 m	2,5 m / 11 m
Drum drive	4 × 15 kW	4 × 18,5 kW
Max. drying capacity at 3 % moisture	216 t/h	285 t/h
Max. drying capacity at 5 % moisture	173 t/h	230 t/h
Burner power output	15,5 MW	20 MW
Fuels	Natural gas, fuel oil extra light, heavy oil	
Filter capacity	43 000 Nm ³ /h	57 000 Nm ³ /h
Filter surface	663 m ²	884 m ²
Type screen	VA 2050 BM	VA 2050 BM
Screening	5-fraction	5-fraction
Screen surface	36,2 m ²	36,2 m ²
Number of screen decks	5	5
Hot aggregate silo 1-row	23 t (5 compartments)	23 t (5 compartments)
Aggregate scale	4000 kg	4000 kg
Filler scale	400 kg	400 kg
Bitumen scale	320 kg	320 kg
Mixer size	4 t	4 t
Continual plant capacity *	320 t/h	320 t/h
Binding agent supply	E-Bit, horizontal or vertical configurations, 60 m ³ , 80 m ³ , 100 m ³ , also divided tanks available. Option: hot oil heated tanks	
Filler supply	Standard: 20 m ³ reclaimed filler silo Option: filler tower 20 m ³ reclaimed filler, 40 m ³ imported filler silo	
Hot mix storage silo/compartments	Direct loading or lateral silo with 54 t (1 c.) or 112 t (2 c.)	
Recycling addition up to 30 %	RAC directly into the mixer	
Recycling addition up to 50 %/60 %	–	–
Recycling addition more than 60 %	–	–
* Hot mix production capacity based on following conditions: 10% bitumen and filler addition, input moisture of aggregates 5%, aggregate temperature increase 175 K and 0/2 fraction share max. 40% Mixing cycles 80 per hour.		

ContiMix 120–320 t/h

Plant type	120	180	200	250	300
Number of cold feeders	As desired				
Content cold feeders	7,5 m ³ , 10 m ³ , 12 m ³ or 15 m ³				
Type drying drum	T 2070	T 2280	T 2290	T 2590	T 27100
Diameter / length	2 m / 7 m	2,2 m / 8 m	2,2 m / 9 m	2,5 m / 9 m	2,7 m 10 m
Drum drive	4 × 9,5 kW	4 × 11 kW	4 × 15 kW	4 × 15 kW	4 × 18,5 kW
Max. drying capacity at 3 % moisture	135 t/h	180 t/h	180 t/h	270 t/h	320 t/h
Max. drying capacity at 5 % moisture	113 t/h	161 t/h	176 t/h	226 t/h	275 t/h
Burner power output	9,7 MW	13,9 MW	15,5 MW	20 MW	24 MW
Fuels	Natural gas, fuel oil extra light, heavy oil, brown-coal dust				
Filter capacity	29 000 Nm ³ /h	48 000 Nm ³ /h	57 000 Nm ³ /h	57 000 Nm ³ /h	77 000 Nm ³ /h
Filter surface	442 m ²	737 m ²	884 m ²	884 m ²	1179 m ²
Aggregate scale	Weighing system in collection- or conveying belt conveyor				
Filler scale	Differential weighing system				
Bitumen scale	Coriolis massflow system				
Type mixer	Amix twin-shaft paddle mixer with mix dwell time control for filling level				
Mixer size	4 t	4 t	4 t	4 t	4 t
Number of agitator planes	10	10	10	10	10
Continual plant capacity *	150 t/h	200 t/h	200 t/h	300 t/h	320 t/h
Continual plant capacity **	120 t/h	180 t/h	200 t/h	250 t/h	300 t/h
Binding agent supply	E-Bit, horizontal or vertical configurations, 60 m ³ , 80 m ³ , 100 m ³ , also divided tanks available. Option: hot oil heated tanks				
Filler supply	According to customer's wishes: reclaimed and imported filler silos or filler towers in different desired configurations				
Hot mix storage silo/compartments	25 t in 1 compartment, 50 t or 100 t in 2 compartments, 200 t or 260 t or 300 t in 4 compartments				
Recycling addition up to 30 %	Recommendation: RAC directly into the mixer Alternative: RAC via ring into the RAH50 drum				
Recycling addition up to 50 %/60 %	Up to 50 % with recycling drum RAH50, up to 60 % with 40 % via ring + 15 % RAC into the mixer, or via parallel drum system				
Recycling addition more than 60 %	via RAH100 recycling drum system				
Options	Mixing with foamed bitumen with Single-phase foaming device, fibrous granulate addition				

* Hot mix production capacity based on following conditions: 10 % bitumen and filler addition, input moisture of aggregates 3 %, aggregate temperature increase 175 K and 0/2 fraction share max. 40 %.

** Hot mix production capacity based on following conditions: 10 % bitumen and filler addition, input moisture of aggregates 5 %, aggregate temperature increase 175 K and 0/2 fraction share max. 40 %.

Prime 100–140 t/h

Plant type	100	140
Number of cold feeders	Standard: 3 + option	Standard: 3 + option
Content cold feeders	3 × 7 m ³ option: 3 × 10 m ³	3 × 7 m ³ option: 3 × 10 m ³
Type drying drum	T 1650	T 1860
Diameter / length	1,6 m / 5 m	1,8 m / 6 m
Drum drive	4 × 7,5 kW	4 × 9,5 kW
Max. drying capacity at 3 % moisture	100 t/h	140 t/h
Max. drying capacity at 5 % moisture	80 t/h	120 t/h
Burner power output	7,0 MW	9,3 MW
Fuels	Fuel oil extra light, heavy oil Option: gas	Fuel oil extra light, heavy oil Option: gas
Filter capacity	22 000 Nm ³ /h	30 000 Nm ³ /h
Filter surface	265 m ²	330 m ²
Aggregate weighing system	Belt scale in each dosing conveyor belt	Belt scale in each dosing conveyor belt
Bitumen weighing system	Volumetric option: massflow system	Volumetric option: massflow system
Type mixer	Amix twin-shaft paddle mixer with mix dwell time for filling level	Amix twin-shaft paddle mixer with mix dwell time for filling level
Mixer size	1,2 t	1,2 t or 1,5 t
Number of agitator planes	8 or 10	8 or 10
Continual plant capacity*	35–100 t/h	35–140 t/h
Control system	as1Push	as1Push
Cold Recycling addition up to 40%	–	Directly into the mixer
Transport dimensions without truck	<ul style="list-style-type: none"> • Overall length 21,7 m • Length (from kingpin) 18,6 m • Width 3,2 m Height 4,4 m • Number of axles 2 • Maximum load per axle 9 t • Maximum vertical load 17 t • Overall weight ca. 34 t 	<ul style="list-style-type: none"> • Overall length 22,7 m • Length (from kingpin) 19,6 m • Width 3,2 m Height 4,4 m • Number of axles 3 • Maximum load per axle 9 t • Maximum vertical load 17 t • Overall weight ca. 43 t
Options	<ul style="list-style-type: none"> • Additional one ore two cold feeders • Protection grid for cold feeder • Tri-fuel burner for additional combustibles (natural gas etc.) • Mobile, semimobile or stationary bitumen and fuel tanks • Heater for heavy fuel oil and bitumen • Preseparator • Imported filler addition (volumetric/gravimetric) • Reclaimed filler addition (volumetric/gravimetric) • Bitumen counter for gravimetric dosing of bitumen • Bitumen foam generator • Fibre addition (volumetric/gravimetric) • Hot mix storage silo lateral • More options upon request 	<ul style="list-style-type: none"> • Additional one ore two cold feeders • Protection grid for cold feeder • Tri-fuel burner for additional combustibles (natural gas etc.) • Mobile, semimobile or stationary bitumen and fuel tanks • Heater for heavy fuel oil and bitumen • Recycling addition: directly into the mixer • Preseparator • Imported filler addition (volumetric/gravimetric) • Reclaimed filler addition (volumetric/gravimetric) • Bitumen counter for gravimetric dosing of bitumen • Bitumen foam generator • Fibre addition (volumetric/gravimetric) • Hot mix storage silo lateral • More options upon request
* Hot mix production capacity based on following conditions: 10 % bitumen and filler addition, input moisture of aggregates 3 %, aggregate temperature increase 175 K and 0/2 fraction share max. 40 %.		

ColdMix 130–400 t/h

Plant type	130–200	130–400
Generator power	116,5 kW	–
Operating voltage	400/230 V	400/230 V
Fuel consumption at full load	30,2 l/h	–
Content cold feeders	8 m ³	4 × 20 m ³
Injection width / Feed height	3300 mm / 3900 mm	4000 mm / 4100 mm
Cement scale	160 kg	400 kg
Cement differential weighing	1,3–11 t/h	2–40 t/h
Bitumen foam addition	Frequency-controlled pump and coriolis mass flow metre: 3,9 up to 11 t/h	–
Transport dimensions (without/with truck) Weight	Length: 13350 mm/17550 mm Width: 2550 mm Height: 4000 mm Weight without truck: 25300 kg	Standard container dimensions
Water feed for concrete with control valve and magnetic-inductive flow-metre	1,0 up to 12 m ³ /h	5 up to 40 m ³ /h
For bitumen foam with duoblock water softener, 1000 L tank and frequency- controlled pump	78 up to 550 kg/h	–
Type mixer	Amix twin-shaft paddle mixer with mix dwell time for filling level	
Mixer size	1,75 t	4 t
Continual plant capacity	130–200 t/h	200–400 t/h
Drive	45 kW	2 × 45 kW
Delivery belt	For loading on trucks or for stockpile production	
Options	–	<ul style="list-style-type: none"> • Hot mix storage silo 40 t • Bitumen foam generator

WM (Wet Mix) 100–250 t/h

Plant type		WM 100	WM 200	WM 250
	Plant capacity	100 t/h	200 t/h	250 t/h
UNITS				
Cold feed bins	No. Of bins*/total capacity	4/25 nos/m ³	4/30 nos/m ³	5/36 nos/m ³
	Charging width	3,05 m	3,6 m	3,6 m
	Gathering conveyor belt (w x l)	600 x 25 600 mm	600 x 29 600 mm	600 x 36 880 mm
	Bin vibrator (1 no.)	0,18 kW	0,18 kW	0,18 kW
	Feeding capacity	120 t/h	225 t/h	280 t/h
Oversize removal screen	Mesh size	65 x 65 mm		
Slinger conveyor	Belt (w x l)	500 x 15 025 mm	600 x 15 025 mm	600 x 15 025 mm
Pug mill	No. Of paddle arms	26	44	64
	Capacity	1,62 m ³	2,4 m ³	3 m ³
Water tank	Capacity	18 m ³		
Load out conveyor	Belt (w x l)	600 x 17 900 mm	600 x 20 300 mm	–
	Gob hopper capacity	1,5 t	2 t	–
Long load out conveyor	Belt (w x l)	600 x 41 100 mm	800 x 41 100 mm	800 x 41 100 mm
	Storage silo capacity	25 t		
Filler silo	Capacity	7/18/28 m ³		

Offers for capacities over 250 t/h on request.

Specifications subject to change without prior notice.

Australia: Ammann Australia Pty. Ltd. | Narangba 4504

Austria: Ammann Austria GmbH | 4113 St. Martin im Mühlkreis

Brazil: Ammann do Brasil | CEP: 94180-452 Gravataí/RS

Bulgaria: Ammann Bulgaria | 1700 Sofia

China: Ammann Construction Machinery Shanghai Co. Ltd. | Shanghai 201700

Czech Republic: Ammann Czech Republic a.s. | 54901 Nové Město nad Metují

Ammann Asphalt GmbH | 60200 Brno

France: Ammann France SAS | 94046 Créteil/Cedex

Germany: Ammann Asphalt GmbH | 31061 Alfeld (Leine)

Ammann Verdichtung GmbH | 53773 Hennef

Ammann Elba Beton GmbH | 76275 Ettlingen

India: Ammann Apollo India Private Ltd. | Ahmedabad 380 009

Indonesia: Ammann South East Asia | Jakarta 11530

Italy: Ammann Italy S.p.A. | 37012 Bussolengo

Kazakhstan: Ammann Kazakhstan LLP | Almaty 050051

Netherlands: Ammann Benelux B.V. | 7730 SK Ommen

Poland: Ammann Polska sp.z.o.o. | 02-230 Warszawa

Romania: Ammann Group Romania S.R.L. | 077125 Magurele

Russia: Ammann Russia o.o.o. | 127 473 Moscow

Singapore: Ammann Singapore Pte. Ltd. | 307591 Singapore

Spain: Ammann Iberia S L | Madrid

South Africa: Ammann Construction Machinery South Africa | Benoni 1500

Sweden: Ammann Scandinavia | 211 20 Malmö

Switzerland: Ammann Switzerland Ltd. | 4901 Langenthal

Avesco AG | 4901 Langenthal

Turkey: Ammann Teknomak A.S. | Ankara 06370

Ukraine: OOO Ammann Ukraine | 03150 Kiev

United Arab Emirates: Ammann NME FZE | Dubai

United Kingdom: Ammann UK Ltd. | Warwickshire CV37 0TY

USA: Ammann America Inc. | Ponte Vedra | Florida 32082

Detailed information can be found at: www.ammann-group.com

