



Plants

## EasyBatch

Mobile asphalt mixing plant

With productive capacity of 90–140 t/h

# EasyBatch 90–140 t/h

The most mobile and compact plant on the market

## The ultra-mobile mixing plant

The EasyBatch was consistently designed with maximum mobility in mind. It is available with 90 t/h and 140 t/h capacity. This complete, stand-alone asphalt mixing plant fits onto just two trailers, and can be set up with no need for lifting gear. This makes the EasyBatch ideal for multiple relocations during the year, and it is ready to produce again within two days of a move. The plant was specifically designed to produce asphalt reliably and independently in regions with little developed infrastructure.

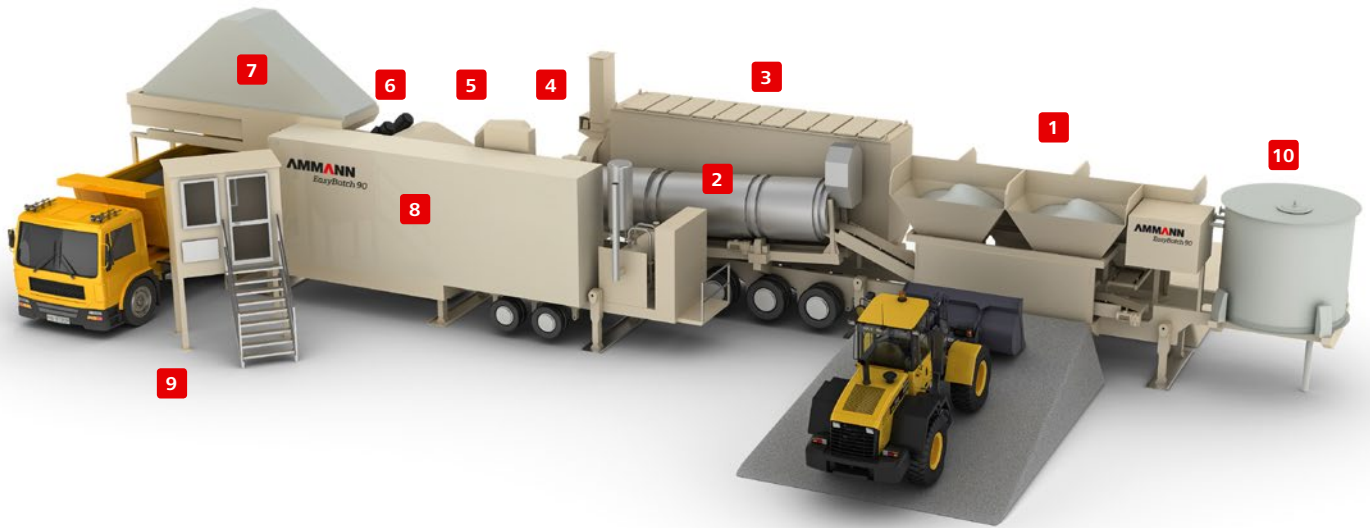
### Benefits at a glance

- No concrete foundations required, a consolidated surface is sufficient
- Plant is pre-assembled and tested at the factory
- Max. width: 3 metres
- Can be installed without a crane
- Extremely fast set-up and relocation times
- Wide range of options

“The ultra-compact EasyBatch is available in the 90 t/h and 140 t/h performance categories.”



An EasyBatch 90 operating in Philippines.



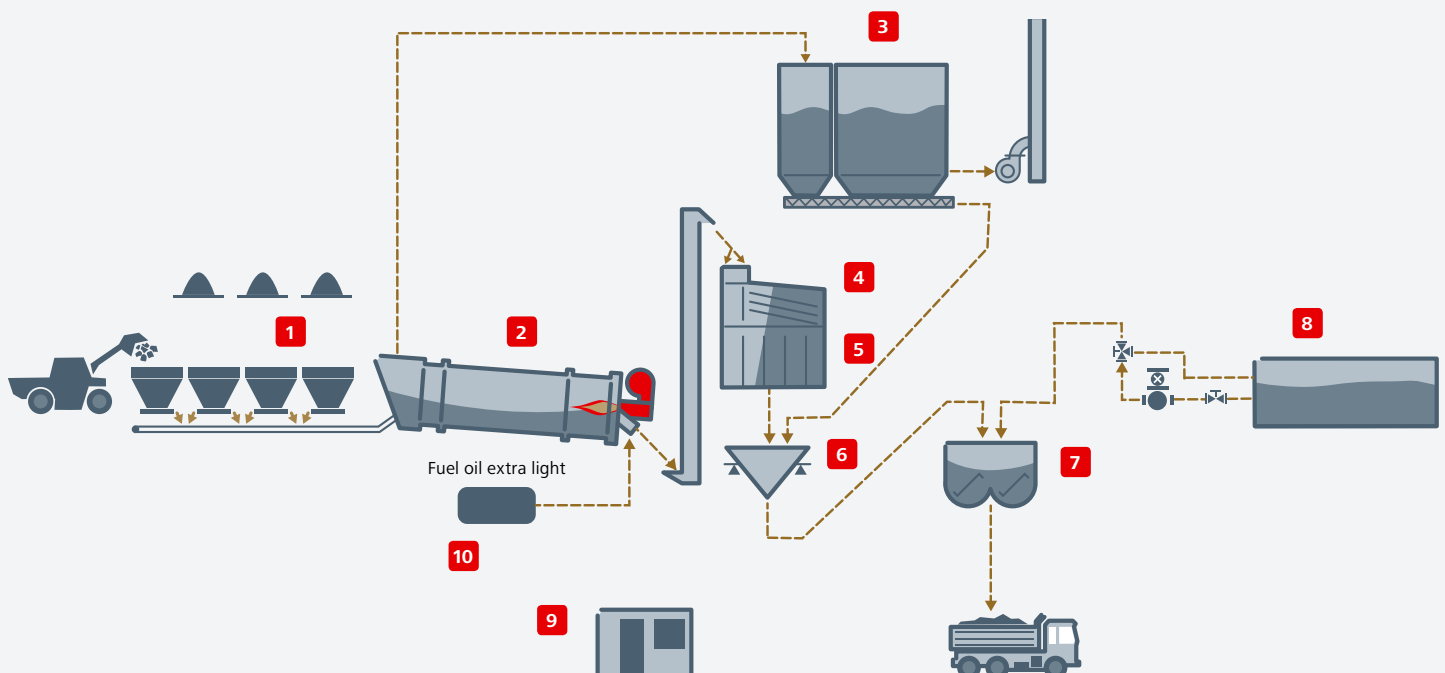
### EasyBatch 90

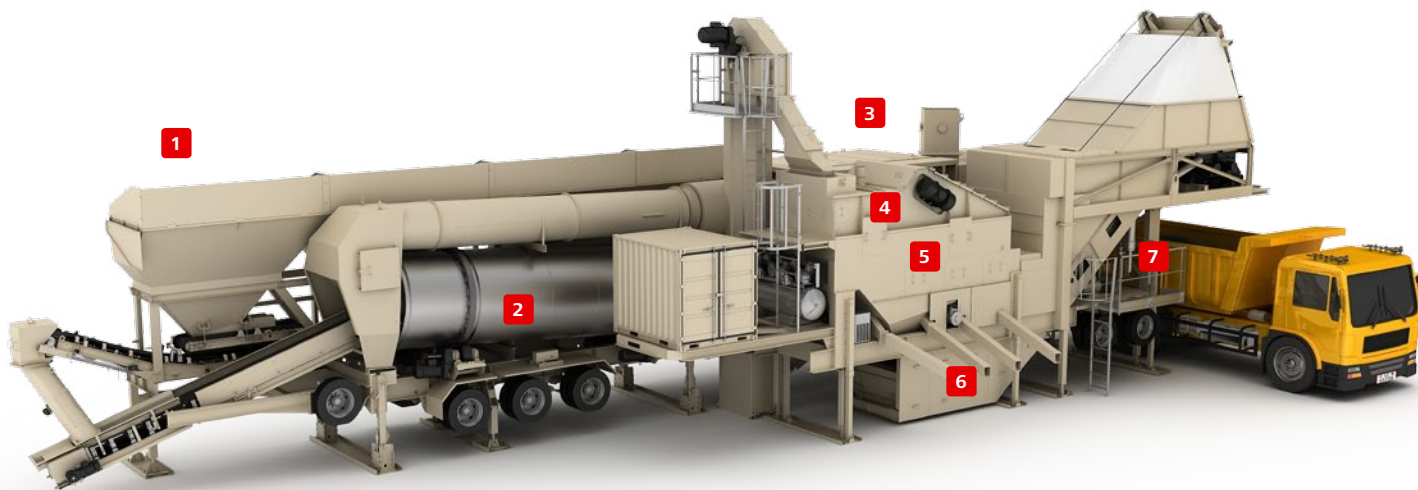
Simply connect the EasyBatch 90 to the power supply (e.g. from a generator) and it's ready to operate. This mobile batch mixing plant delivers a maximum mixing rate of 90 t/h and is fitted with a 10 t hot aggregate silo. A filler silo or extra bitumen tanks can be added to the EasyBatch 90 as options. It is also possible to feed cold RA or additives directly into the mixer.

#### Legend

1. Cold feeders with four feeders
2. Drying drum with Ammann burner
3. Filter
4. Screen
5. Hot aggregate silo
6. Buckets with aggregate scale
7. Mixer
8. Bitumen tank with volumetric feed
9. as1 control system
10. Fuel tank

### Flow diagram EasyBatch 90





### EasyBatch 140

Thanks to its rated output of 140 t/h, the new EasyBatch 140 can also supply larger construction sites. The reasons: the larger hot aggregate silo with capacity for 15 t (which can also be fitted with five chambers as an option) and the higher mixer output. Its width of only three metres and maximum height of 4,25 metres allow this plant to be transported anywhere in the world. Furthermore, both trailers are fully sealed against dust. The EasyBatch 140 can be fitted or retrofitted with a variety of options.

### Flow diagram EasyBatch 140

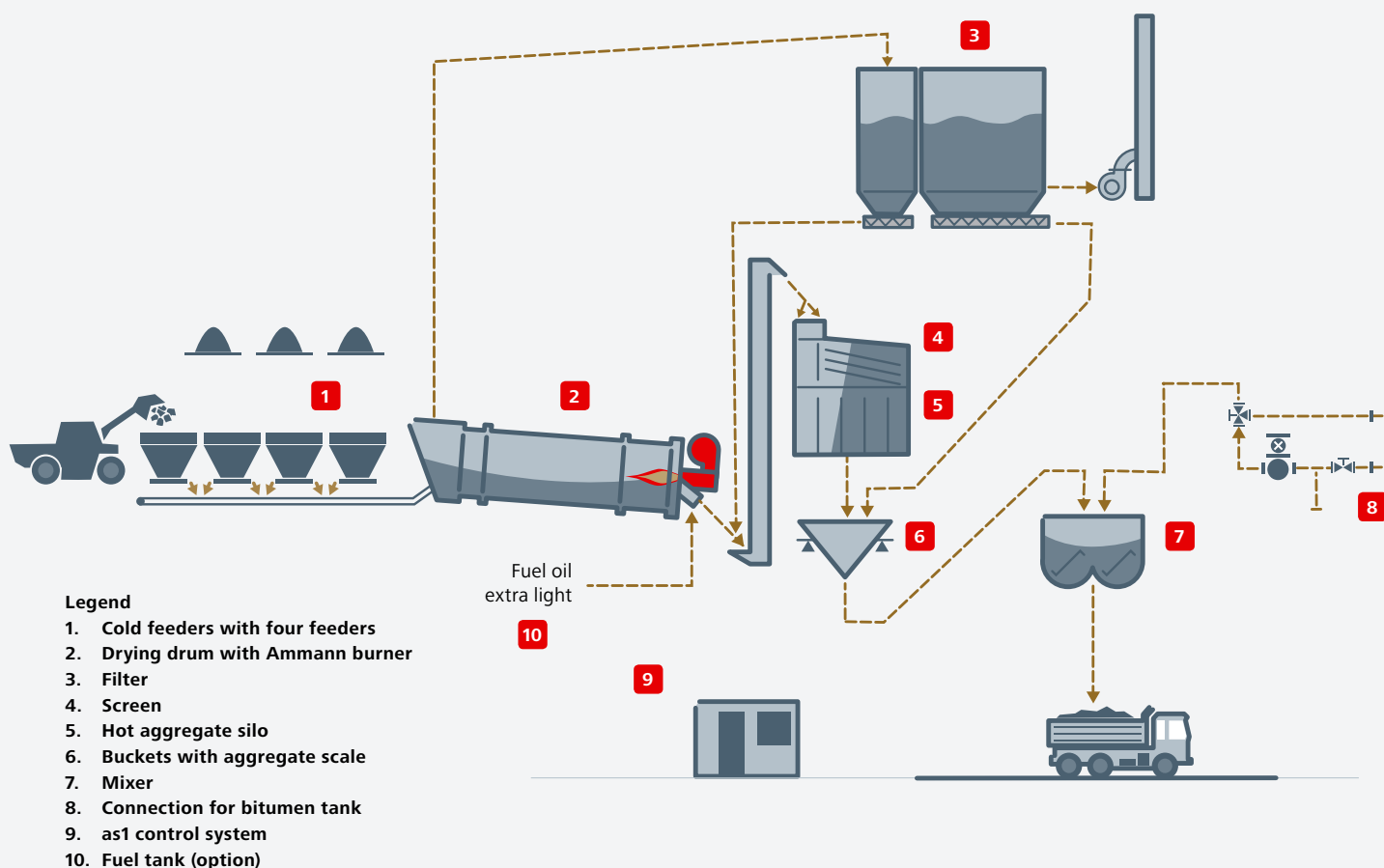




Photo above: The EasyBatch 140 in working position.

Photo under: The EasyBatch 140 can be equipped with a variety of features. In example with a mobile bitumen tank.





Die EasyBatch 140 with as1 control sytem: for cost-effective production of quality asphalt mix.



as1 control sytem: simple to operate and highly reliable.



Direct loading: the mixer has generous outlet gates.



The EasyBatch 140 includes a container with enough storage space.



**Compact and efficient: the transport of the different minerals from the cold feeder to the drying drum.**



**No special foundations are required for the erection. The erection site needs only be levelled and firm.**



**Trailer with a screen, hot aggregate silo and overflow channels as well as the bucket elevator to the mixer with integrated mineral scale.**

## EasyBatch 90 t/h | EasyBatch 140 t/h

Plant type	90	140
Number of cold feeders	2 + 2	4 (Option: +1)
Content cold feeders	Total 24 m <sup>3</sup>	Total 26 m <sup>3</sup>
Type drying drum	T 1650	T 1770 S
Diameter / length	1,41 / 1,65 m / 6,5 m	1,7 m / 7 m
Drum drive	4 × 4 kW	4 × 7,5 kW
Max. drying capacity at 3 % moisture	90 t/h	140 t/h
Max. drying capacity at 5 % moisture	75 t/h	120 t/h
Burner power output	6,5 MW	9,3 MW
Fuels	Natural gas, fuel oil extra light, heavy oil	Natural gas, fuel oil extra light, heavy oil
Filter capacity	21000 Nm <sup>3</sup> /h	29000 Nm <sup>3</sup> /h
Filter surface	330 m <sup>2</sup>	420 m <sup>2</sup>
Type screen	VS 1440	VA 1536
Screening	4-fraction incl. Bypass	4-fraction (Option 5-fraction)
Screen surface	10,5 m <sup>2</sup>	15,8 m <sup>2</sup>
Number of screen decks	2 (horizontal screen)	4 (Option: +1)
Hot aggregate silo 1-row	10 t	15 t (4 compartments/Option: 5 compartments)
Aggregate scale	1200 kg	1700 kg
Filler scale	Included in aggregate scale	Option: separate filler scale
Bitumen scale	Volumetric or optional coriolis massflow system	Volumetric or optional coriolis massflow system
Mixer size	1,2 t	1,7 t
Continual plant capacity*	90 t/h	145 t/h
Binding agent supply	1 hot oil heated tanks 25 m <sup>3</sup>	Optional
Filler supply	Optional	Optional
Hot mix storage silo/compartments	Direct loading Option: lateral 57 t–120 t in 1 c. or 76 t in 2 c.	Direct loading Option: lateral 57 t–120 t in 1 c. or 76 t in 2 c.
Recycling addition up to 30 %	Cold recycling addition (RAC) directly into the mixer	Cold recycling addition (RAC) directly into the mixer
Transport dimensions without truck (length × width × height)	Trailer 1: 19,95 × 3 × 4,48 m Trailer 2: 15,8 × 3 × 4,48 m	Trailer 1: 21,5 × 3 × 4,3 m Trailer 2: 16,5 × 3 × 4,3 m
Options	<ul style="list-style-type: none"> <li>• Cold recycling addition (RAC) directly into the mixer</li> <li>• Bitumen tanks</li> <li>• Filler silo</li> <li>• Coriolis flow counter for the bitumen feed</li> </ul>	<ul style="list-style-type: none"> <li>• Additional feeder</li> <li>• Hot recycling addition via RAH50 drum</li> <li>• Five split screening</li> <li>• Bitumen foam generator</li> <li>• Bitumen tanks</li> <li>• Filler silo</li> <li>• Coriolis flow counter for the bitumen feed</li> <li>• Filler weighing scale</li> <li>• Diesel fuel tank</li> </ul>

\* Hot mix production capacity based on following conditions: 10% bitumen and filler addition, input moisture of aggregates 3%, aggregate temperature increase 175 K and 0/2 fraction share max. 40% | Mixing cycles 80 per hour.





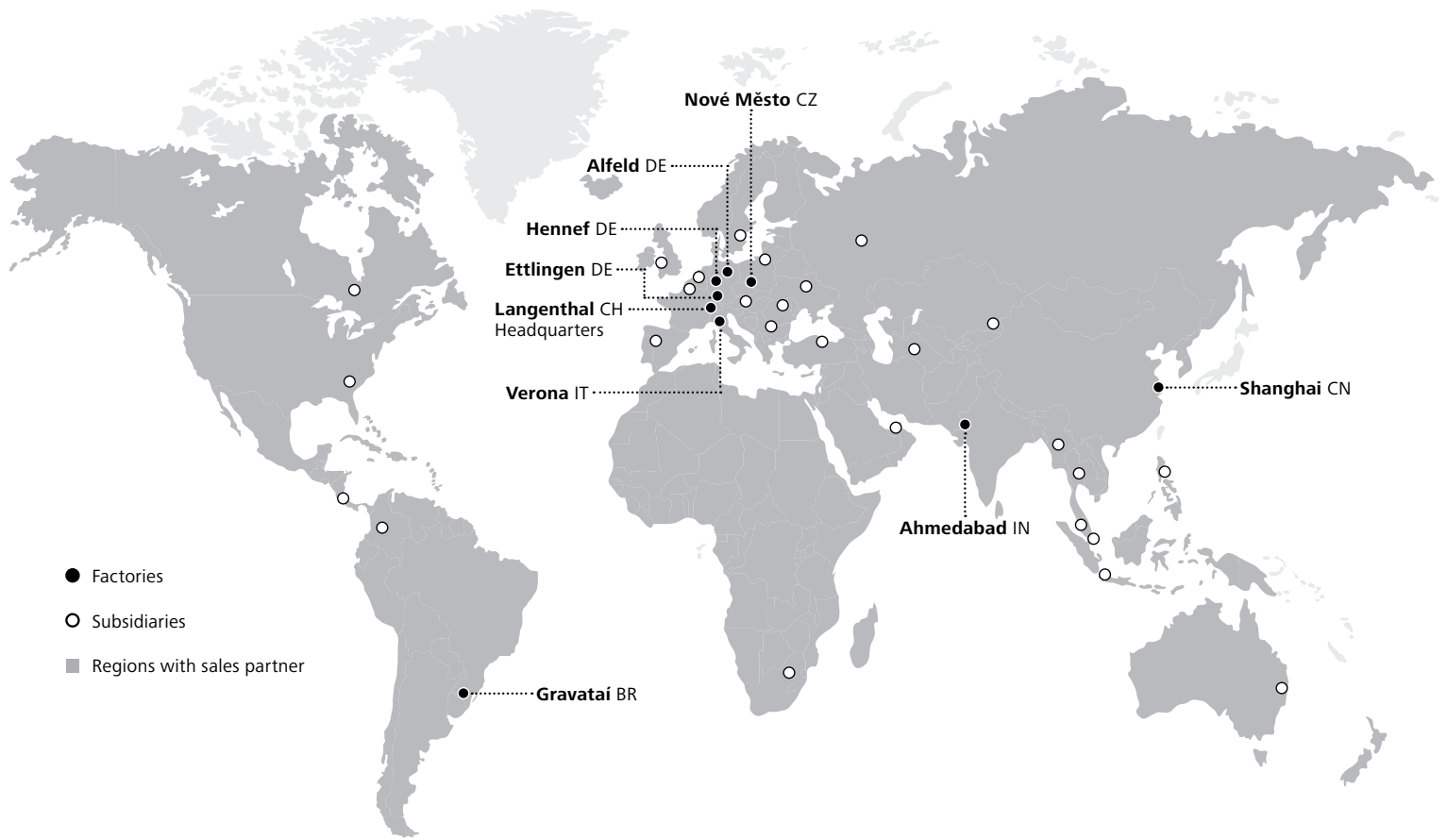
AMMANN

ANKARA

AMMANN

EasyBatch

ÖNCE



## Ammann Group Worldwide

Nine own production locations and over 100 agencies and sales partners

### An innovative family firm

Ammann is a leading global supplier of mixing plants, machines and services to the construction industry, with core expertise in road building. Our strengths are the forthcoming approach of a family firm that has been operating for many years, coupled with our strong and well-established international presence. Ever since 1869 we have been setting benchmarks in the road-building industry, thanks to countless innovations and solutions which are as competitive as they are dependable.

True to our motto "Productivity Partnership for a Lifetime" we gear our activities totally to the needs and requirements of our clients across the globe. We are aware that plants and machines which prove their merits day after day under tough operating conditions are the only way to give our clients the critical competitive edge that they need. As you would expect, we provide a well-developed service network and reliable supplies of spare parts, together with support throughout the entire lifetimes of the plants and machines that we offer.

### Ammann: One brand – grown over years



### Intelligent compaction





**Rammers**



**Vibratory plates**



**Rollers**



**Road pavers**

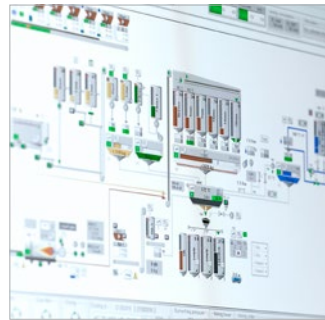
Ammann manufactures mixing plants, compactors and pavers at nine of its own production locations. Over 100 agencies and sales partners work directly for our customers throughout the world. Expert round-the-clock service and a high-quality spare parts service are guaranteed.



**Asphalt mixing plants**



**Concrete mixing plants**



**Control systems**



**Customer Service**

## Asphalt mixing plants

Ammann is the only manufacturer of asphalt mixing plants to develop and produce all the system components (including controls, screens, dryers, burners, mixers and filters) in-house on the basis of an integrated concept. This enables us to offer our customers an optimised complete solution, with all elements of the plant ideally coordinated – from process analysis and design of the system components through to controls for all components of the plant. Well over 4000 Ammann asphalt mixing plants are in operation every day under tough conditions – a figure that speaks for itself.

## Compaction

A complete line of state of the art Ammann compaction products is manufactured at two dedicated production sites. From 62 kg Rammers up to 25000kg Vibrating Rollers, from Attachment Compactors to Intelligent Compaction Systems – with experts for all compaction applications Ammann ensures maximal customers benefit. The global network of distribution companies and distribution partners ensures the utmost support of our customers – everywhere, at any time.

## Concrete mixing plants

Ammann Elba holds a leading position as a manufacturer of both modern concrete compulsory mixers and complete mixing plants offering reliable and economic plant solutions for the production of high quality concrete. Ammann Elba offers a wide range of mixing plants covering all major sizes in mobile and stationary applications. Planetary counter-current mixers, modules for the production of precast concrete and linear storage bins complement the product range.

## Road pavers

Our Paver family consists of seven base machine types. Within a weight range of 1 to 15 t, these pavers offer paving widths from below 1 metre up to 6,5 metres. You will find the right paver to meet even the most demanding job requirements from footpaths, cycle tracks and rural roads over to parking lots, municipal, urban and main roads as well as resurfacing work.

**Australia:** Ammann Australia Pty. Ltd. | Narangba 4504

**Austria:** Ammann Austria GmbH | 4113 St. Martin im Mühlkreis

**Brazil:** Ammann do Brasil | CEP: 94180-452 Gravataí/RS

**Bulgaria:** Ammann Bulgaria | 1700 Sofia

**China:** Ammann Construction Machinery Shanghai Co. Ltd. | Shanghai 201700

**Czech Republic:** Ammann Czech Republic a.s. | 54901 Nové Město nad Metují

Ammann Asphalt GmbH | 60200 Brno

**France:** Ammann France SAS | 94046 Créteil/Cedex

**Germany:** Ammann Asphalt GmbH | 31061 Alfeld (Leine)

Ammann Verdichtung GmbH | 53773 Hennef

Ammann Elba Beton GmbH | 76275 Ettlingen

**India:** Ammann Apollo India Private Ltd. | Ahmedabad 380 009

**Indonesia:** Ammann South East Asia | Jakarta 11530

**Italy:** Ammann Italy S.p.A. | 37012 Bussolengo

**Kazakhstan:** Ammann Kazakhstan LLP | Almaty 050051

**Netherlands:** Ammann Benelux B.V. | 7730 SK Ommen

**Poland:** Ammann Polska sp.z.o.o. | 02-230 Warszawa

**Romania:** Ammann Group Romania S.R.L. | 077125 Magurele

**Russia:** Ammann Russia o.o.o. | 127 473 Moscow

**Singapore:** Ammann Singapore Pte. Ltd. | 307591 Singapore

**Spain:** Ammann Iberia S L | Madrid

**South Africa:** Ammann Construction Machinery South Africa | Benoni 1500

**Sweden:** Ammann Scandinavia | 211 20 Malmö

**Switzerland:** Ammann Switzerland Ltd. | 4901 Langenthal

Avesco AG | 4901 Langenthal

**Turkey:** Ammann Teknomak A.S. | Ankara 06370

**Ukraine:** OOO Ammann Ukraine | 03150 Kiev

**United Arab Emirates:** Ammann NME FZE | Dubai

**United Kingdom:** Ammann UK Ltd. | Warwickshire CV37 0TY

**USA:** Ammann America Inc. | Ponte Vedra | Florida 32082

Detailed information can be found at: [www.ammann-group.com](http://www.ammann-group.com)

