

**Technical Description**

**ELBA Linear Storage bin RD 20 (2400)**

**Linear bin**

for storage and batching of aggregates, executed in a stable steel profiles-plate construction, with suitable static for direct supporting of a feeding ramp on one side or both sides. Quick Mounting of single compartments and separation walls by wedge joints. Under-structure galvanized - Bottom plates with batching gates and side walls painted in RAL 9002.

**Segment Batching Gates**

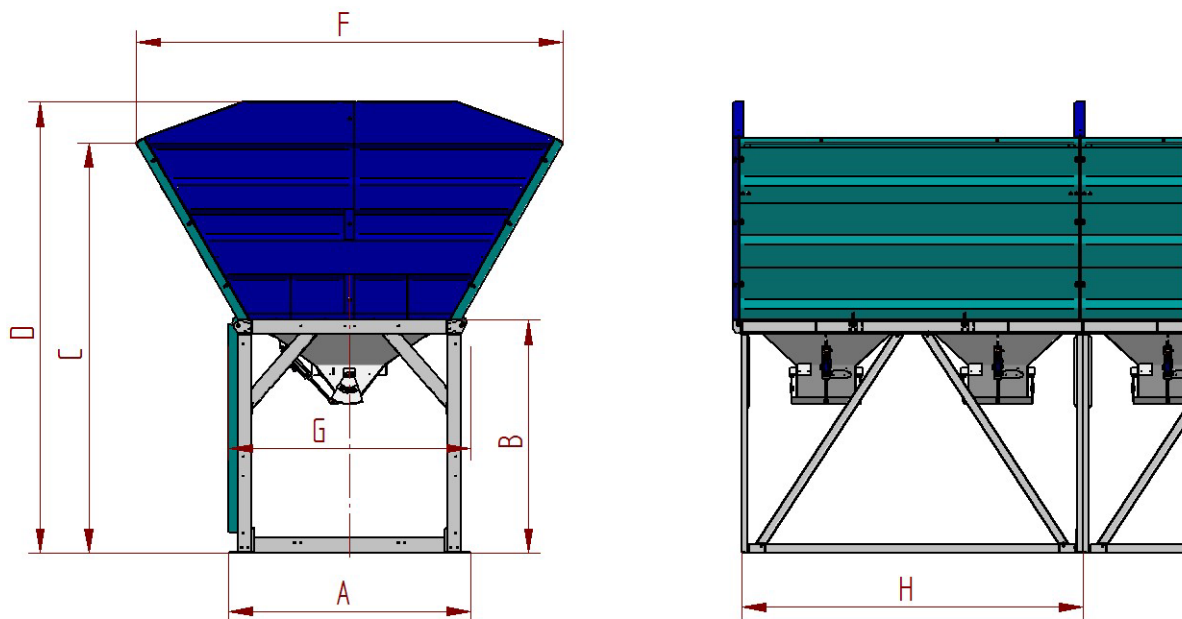
Opening dimensions 180 x 160 mm, electro-pneumatically operated, ready installed. Opening with adjustable buffers. Standard, workable grain size: crushed / round 32 mm, for coarse batching gates crushed / round 100/120 mm.

**ELBA Weighing Conveyor belt**

consists of a frame in steel profile construction, drive drum of concrete polymer, with passing axle with roller bearings.

Tension drum with passing axle with roller bearing and tension device.

Belt supporting stations, 3 sections cleted – adjustable, permanently greased, mounted every 0,3 m. Lower supporting roller stations approx. every 1,75 m. Conveyor belt endless vulcanised, EP 400/3, 4+2mm rubber covering. Belt cleaner easily adjustable, as a laminar cleaner underneath the belt. Continuous rubber strip cleaner, adjustable. Belt conveyor height extension in steel sheet construction, rear part easily dismountable. Lateral safety cords with emergency stop on both sides. All movable parts are executed with protection devices in accordance to the European safety standard. Weighing belt in galvanized execution. Electrical drive via energy saving gear motor in accordance to the European EUP Directive 2005/32/EC.



**Dimensions of one single compartment of RD 20**

RD	Volume	A (mm)	B (mm)	C (mm)	D (mm)	F (mm)	G (mm)	H (mm)
<b>20 (2400)</b>	20 cbm	2480	2400	4220	4635	4400	2500	3500

	RD 20-40	RD 20-60	RD 20-80	RD 20-100	RD 20-120
Length (without Weighing belt)	7,0 m	10,5 m	14,0 m	17,5 m	21,0 m
Width	4,4 m				
Height	4,63 m				
Feeding width	3,39 m				
Feeding height from foundation	4,26 m				
Total volume	40 cbm	60 cbm	80 cbm	100 cbm	120 cbm
Compartment / Volume	min 2 x 20 max 4 x 10	min 3 x 20 max 6 x 10	min 4 x 20 max 8 x 10	min 5 x 20 max 10 x 10	min 6 x 20 max 12 x 10
Quantity of discharge gates	4 bis 8	6 bis 12	8 bis 16	10 bis 20	12 bis 24
Weighing Belt Length	8,12 m	11,6 m	15,1 m	18,6 m	22,1 m
Belt drive 650 mm Belt width	13,5 kW	13,5 kW	13,5 kW	18,5 kW	18,5 kW
Belt drive 800 mm Belt width	13,5 kW	18,5 kW	18,5 kW	24 kW	24 kW
Weighing range optional	of 1500 - 6000 kg				



RD in final assembly



RD ready for dispatch



Illustration shows option:  
Sand moisture measuring device

#### Options:

- Side wall elements for feeding of aggregates laterally from one - or both sides with ramps
- Covering at rear
- L-support wall for the ramp
- Wear and tear plates of weighing belt
- Weigher control device
- Assistance of calibration
- Monitoring of „close“ Position
- Vibrator mounted at batching gate for sand
- Batching gates for large size particles
- Sand moisture measuring device
- Lighting
- Steam injection equipment
- Covering electrical operated

(08|2015) EN

Technische Änderungen vorbehalten.  
Subject to technical changes.

Sous réserves de modifications techniques.  
Sujeto a modificaciones técnicas.

Reserva-se o direito a alterações técnicas.  
Технические данные могут быть изменены.

**Technical Description**

**ELBA Linear Storage bin RD 20 (3000)**

**Linear bin**

for storage and batching of aggregates, executed in a stable steel profiles-plate construction, with suitable static for direct supporting of a feeding ramp on one side or both sides. Quick Mounting of single compartments and separation walls by wedge joints. Under-structure galvanized - Bottom plates with batching gates and side walls painted in RAL 9002.

**Segment Batching Gates**

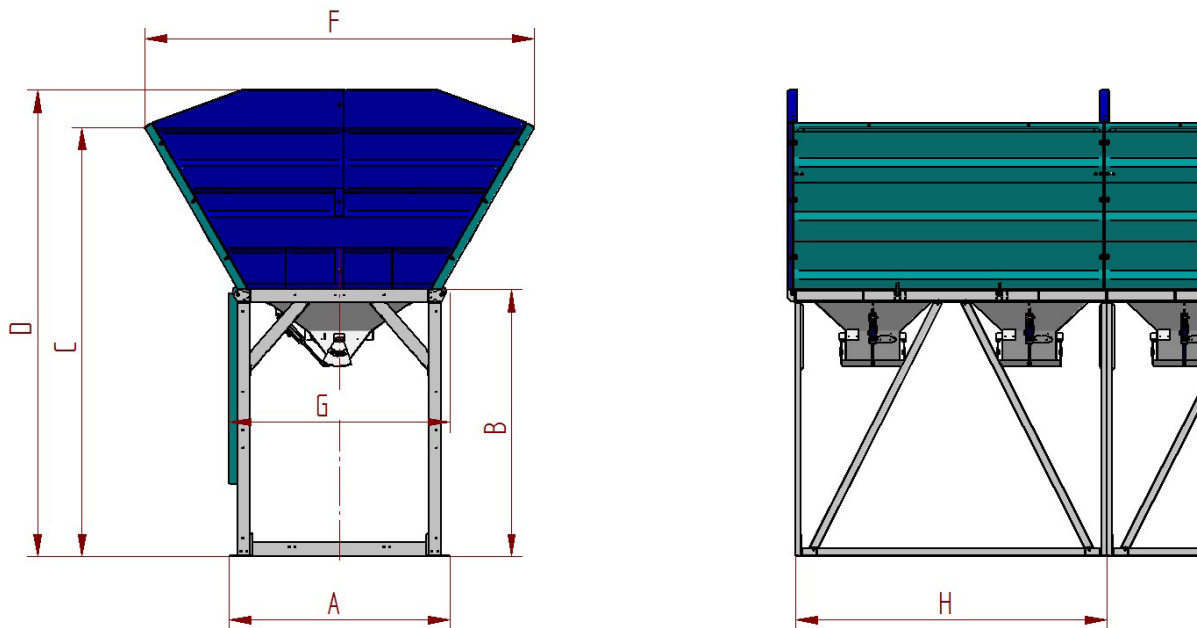
Opening dimensions 180 x 160 mm, electro-pneumatically operated, ready installed. Opening with adjustable buffers. Standard, workable grain size: crushed / round 32 mm, for coarse batching gates crushed / round 100/120 mm.

**ELBA Weighing Conveyor belt**

consists of a frame in steel profile construction, drive drum of concrete polymer, with passing axle with roller bearings.

Tension drum with passing axle with roller bearing and tension device.

Belt supporting stations, 3 sections cleted – adjustable, permanently greased, mounted every 0,3 m. Lower supporting roller stations approx. every 1,75 m. Conveyor belt endless vulcanised, EP 400/3, 4+2mm rubber covering. Belt cleaner easily adjustable, as a laminar cleaner underneath the belt. Continuous rubber strip cleaner, adjustable. Belt conveyor height extension in steel sheet construction, rear part easily dismantable. Lateral safety cords with emergency stop on both sides. All movable parts are executed with protection devices in accordance to the European safety standard. Weighing belt in galvanized execution. Electrical drive via energy saving gear motor in accordance to the European EUP Directive 2005/32/EC.



**Dimensions of one single compartment of RD 20**

RD	Volume	A (mm)	B (mm)	C (mm)	D (mm)	F (mm)	G (mm)	H (mm)
20 (3000)	20 cbm	2480	3000	4820	5235	4400	2500	3500

	RD 20-40	RD 20-60	RD 20-80	RD 20-100	RD 20-120
Length (without Weighing belt)	7,0 m	10,5 m	14,0 m	17,5 m	21,0 m
Width	4,4 m				
Height	5,23 m				
Feeding width	3,39 m				
Feeding height from foundation	4,86 m				
Total volume	40 cbm	60 cbm	80 cbm	100 cbm	120 cbm
Compartment / Volume	min 2 x 20 max 4 x 10	min 3 x 20 max 6 x 10	min 4 x 20 max 8 x 10	min 5 x 20 max 10 x 10	min 6 x 20 max 12 x 10
Quantity of discharge gates	4 bis 8	6 bis 12	8 bis 16	10 bis 20	12 bis 24
Weighing Belt Length	8,12 m	11,6 m	15,1 m	18,6 m	22,1 m
Belt drive 650 mm Belt width	13,5 kW	13,5 kW	13,5 kW	18,5 kW	18,5 kW
Belt drive 800 mm Belt width	13,5 kW	18,5 kW	18,5 kW	24 kW	24 kW
Weighing range optional	of 1500 - 6000 kg				



RD in final assembly



RD ready for dispatch



Illustration shows option:  
Sand moisture measuring device

#### Options:

- Side wall elements for feeding of aggregates laterally from one - or both sides with ramps
- Covering at rear
- L-support wall for the ramp
- Wear and tear plates of weighing belt
- Weigher control device
- Assistance of calibration
- Monitoring of „close“ Position
- Vibrator mounted at batching gate for sand
- Batching gates for large size particles
- Sand moisture measuring device
- Lighting
- Steam injection equipment
- Covering electrical operated

(08|2015) EN

Technische Änderungen vorbehalten.  
Subject to technical changes.

Sous réserves de modifications techniques.  
Sujeto a modificaciones técnicas.

Reserva-se o direito a alterações técnicas.  
Технические данные могут быть изменены.